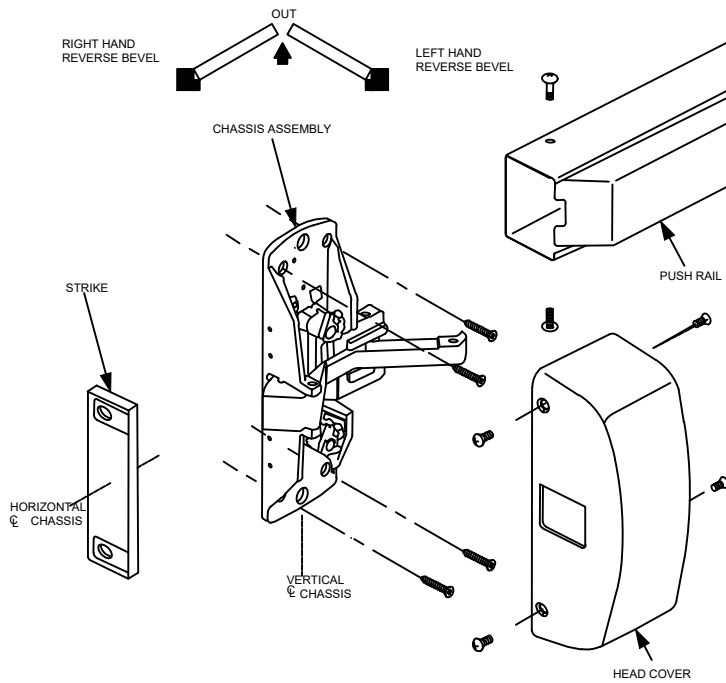




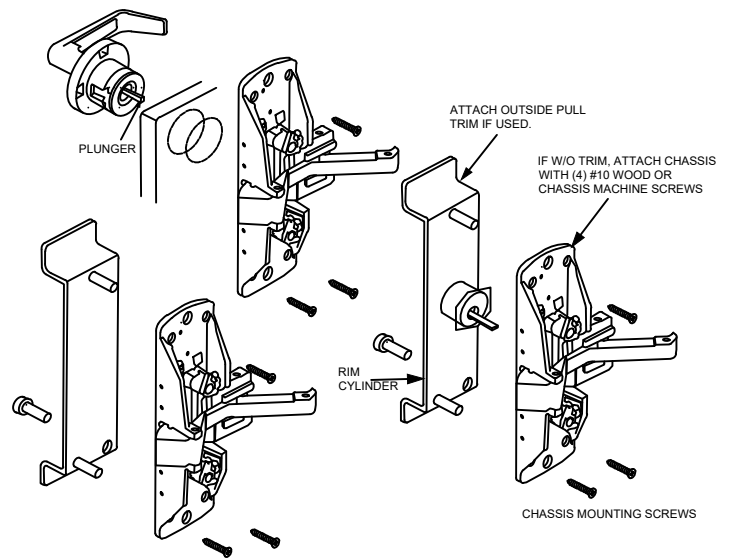
# INSTALLATION INSTRUCTION FOR A9800 SERIES RATED EXIT DEVICE

## 1. BEFORE INSTALLING DEVICE, PLEASE CHECK:

- IF DOOR FITTED AND HUNG
- SIZE OF EXIT DEVICE, FUNCTION AND DESIGN.
  - 36" DEVICES CAN BE CUT TO FIT DOORS DOWN TO 30" WIDE.
  - 48" DEVICES CAN BE CUT TO FIT DOORS DOWN TO 36".
  - HAND OF DEVICE AGAINST APPLICATION.



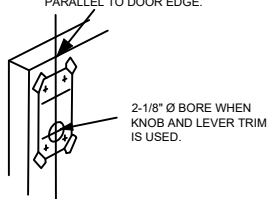
## 2. APPLY HARDWARE:



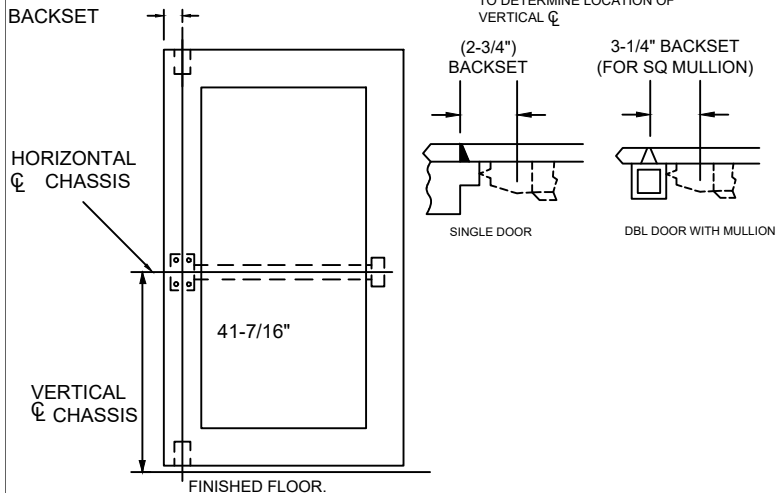
## 5. PREPARE DOOR

- FOR 2-1/8" Ø BORE PREP POSITION TEMPLATE OVER EXISTING HOLE AND MARK FOR TWO CHASSIS MOUNTING SCREW HOLES.

ENSURE VERTICAL  $\text{C}$  CHASSIS PARALLEL TO DOOR EDGE.

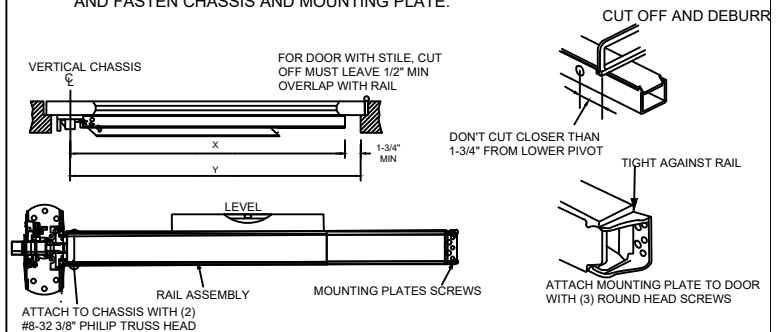


- FOR DOOR W/O BORE PREP, MARK VERTICAL  $\text{C}$  CHASSIS AND HORIZONTAL  $\text{C}$  CHASSIS USING DIMENSIONS BELOW.



## 3. APPLY RAIL ASSEMBLY:

- CHECK THE SIZE OF DEVICE, IF CUTTING LENGTH REQUIRED.
- DETERMINE CUT OFF LENGTH "X" BY SUBTRACTING 1-3/4" FROM "Y". MARK CUT OFF POINT ON MOUNTING RAIL.
- DEPRESS ARM INTO RAIL OPENING AND SLIDE RAIL ONTO CHASSIS. LEVEL RAIL AND FASTEN CHASSIS AND MOUNTING PLATE.



## 4. APPLY COVER AND STRIKES:

