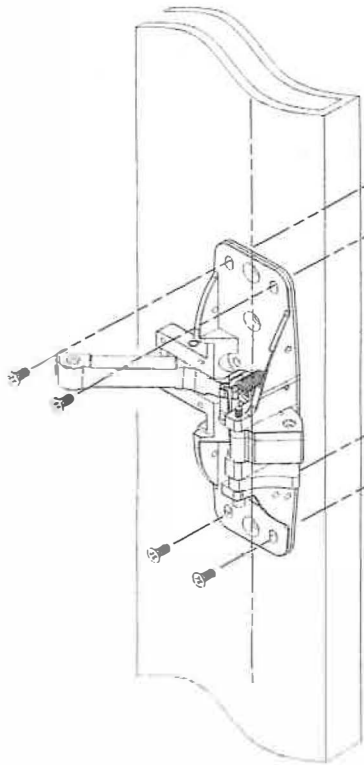
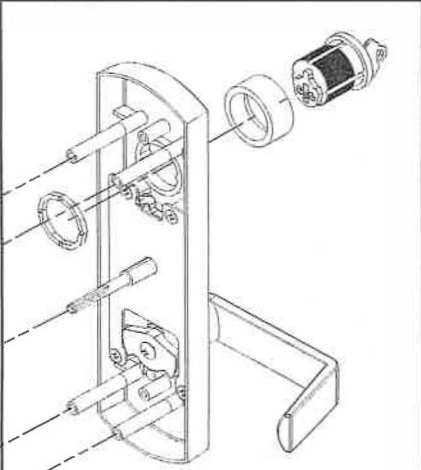
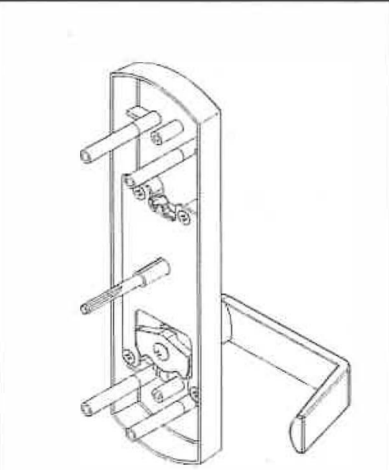
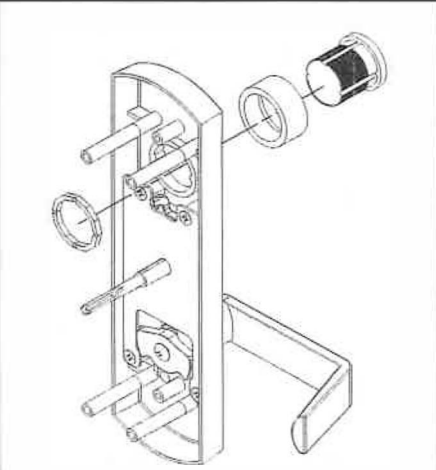
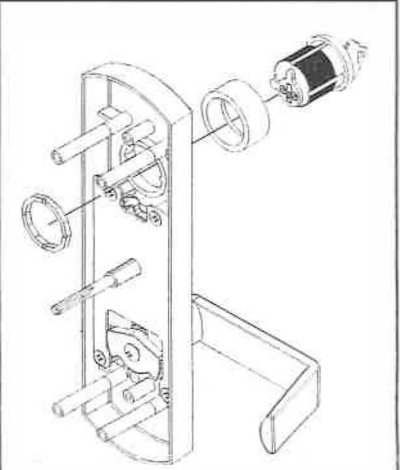




INSTRUCTIONS FOR CAL-ROYAL ESC 7700 TRIM FOR A7700 / A7760V SERIES EXIT DEVICE



ESC-7700	ESC-7730	ESC-7740	ESC-7705
 <p>Lockable Esc Lever Trim Key locks & Unlocks Lever</p>	 <p>No Cyl, Trim Always Operable</p>	 <p>Pull when Push bar locked down Dummy Esc Lever Trim</p>	 <p>Key unlock Esc Lever, Key remained on Cyl unless Locked. Cyl Esc Lever Trim</p>
<p>13 function Entrance</p>	<p>15 function Passage</p>	<p>10 function Dummy</p>	<p>04 function Storeroom</p>
<p>Attach the collar and mortise cyl to the esc case with mortise nut, attach case to door trubolting (4) screws to the chasis, aligning spindle to hub</p>	<p>Attach Esc case to door trubolting the (4) screws to the chasis, aligning spindle to hub of the Chasis</p>	<p>Attach the collar and dummy cyl to the esc case with mortise nut, attach case to door trubolting (4) screws to the chasis.</p>	<p>Attach the collar and mortise cyl to the esc case with mortise nut, attach case to door trubolting (4) screws to the chasis, aligning sprindle to hub</p>