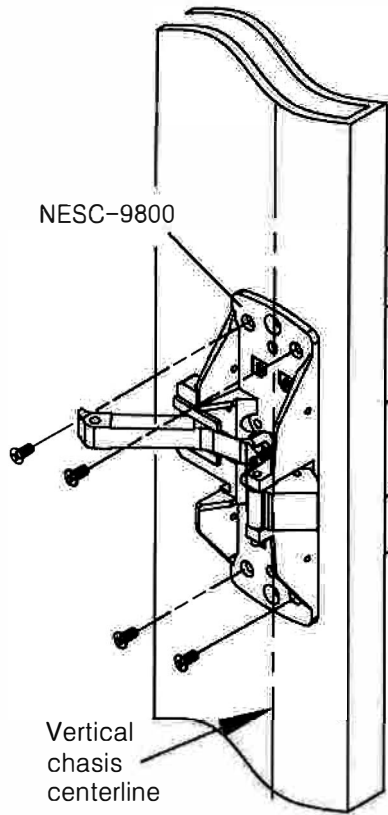
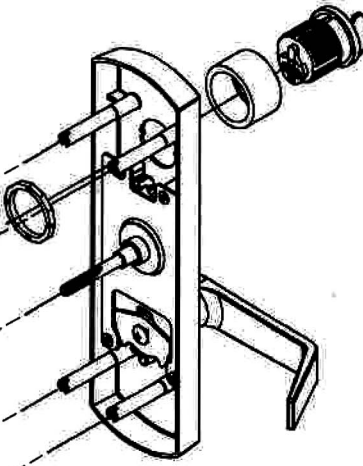
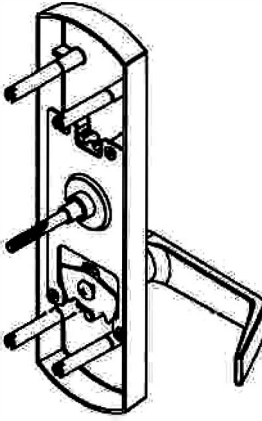
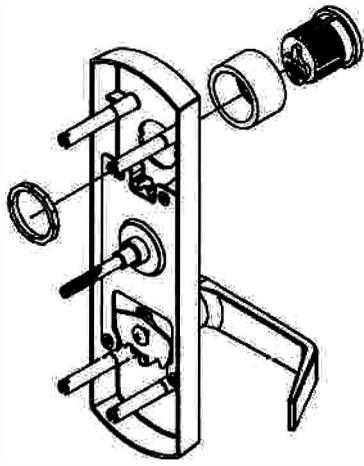
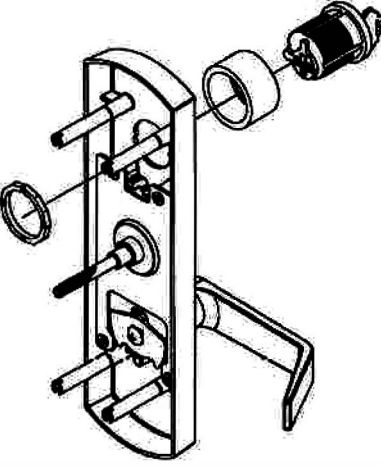




INSTRUCTIONS FOR CAL-ROYAL NESC TRIM FOR 9800 SERIES EXIT DEVICE



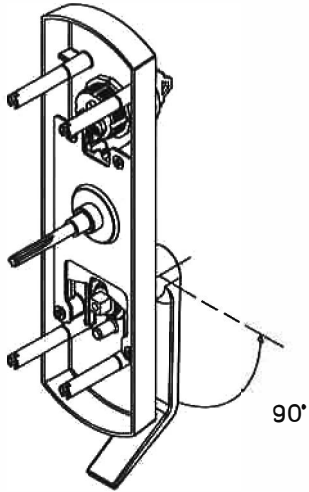
NESC-9800	NESC-9830	NESC-9840	NESC-9805
 <p data-bbox="476 813 731 979">Lockable Nesc Lever Trim Key locks & Unlocks Lever</p>	 <p data-bbox="906 813 1113 937">No Cyl, Trim Always Operable</p>	 <p data-bbox="1321 813 1692 979">Pull when Push bar locked down Dummy Nesc Lever Trim</p>	 <p data-bbox="1758 813 2042 1070">Key unlock Nesc Lever, Key remained on Cyl unless Locked. Cyl Nesc Lever Trim</p>
<p data-bbox="541 1141 760 1247">13 function Entrance</p>	<p data-bbox="978 1141 1190 1247">15 function Passage</p>	<p data-bbox="1408 1141 1620 1247">10 function Dummy</p>	<p data-bbox="1834 1141 2048 1247">04 function Storeroom</p>
<p data-bbox="535 1267 819 1448">Attach the collar and mortise cyl to the nesc case with mortise nut, attach case to door thru bolting (4) screws to the chasis, aligning spindle to hub</p>	<p data-bbox="971 1267 1277 1398">Attach nesc case to door thru bolting the (4) screws to the chasis, allaning spindle to hub of the Chasis</p>	<p data-bbox="1397 1267 1681 1421">Attach the collar and dummy cyl to the nesc case with mortise nut, attach case to door thru bolting (4) screws to the chasis,</p>	<p data-bbox="1823 1267 2118 1448">Attach the collar and morlise cyl to the nesc case with mortise nut, attach case to door thru bolting (4) screws to the chasis, aligning sprindle to hub</p>



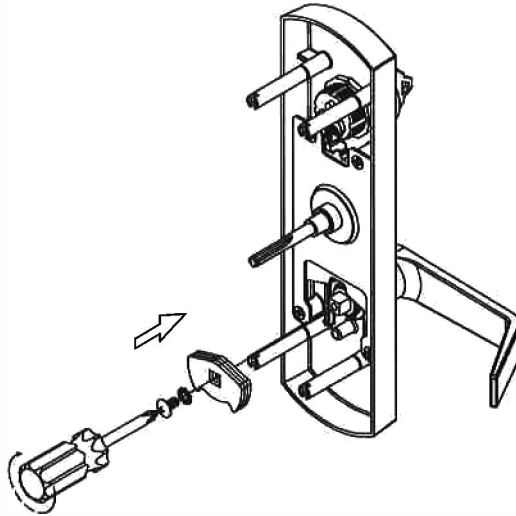
CAL-ROYAL NESC Lever Trim For 9800 Series

Method of Changing Hand of Lever LHR(Reverse Step for RHR)

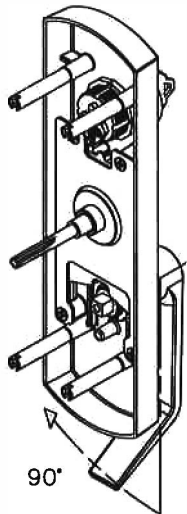
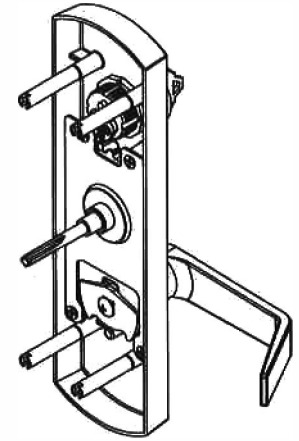
1. Rotate lever to LHR positioned at 90°



2. Place and fasten cam piece with locked type washer and screw

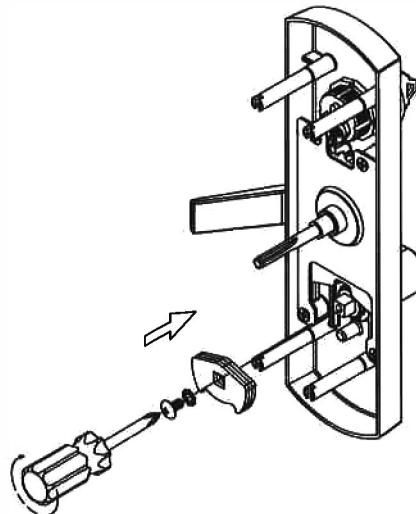


3. Done



1. Rotate lever to RHR positioned at 90°

2. Place and fasten cam piece with locked type washer and screw



3. Done

