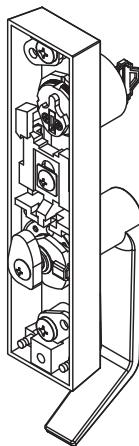


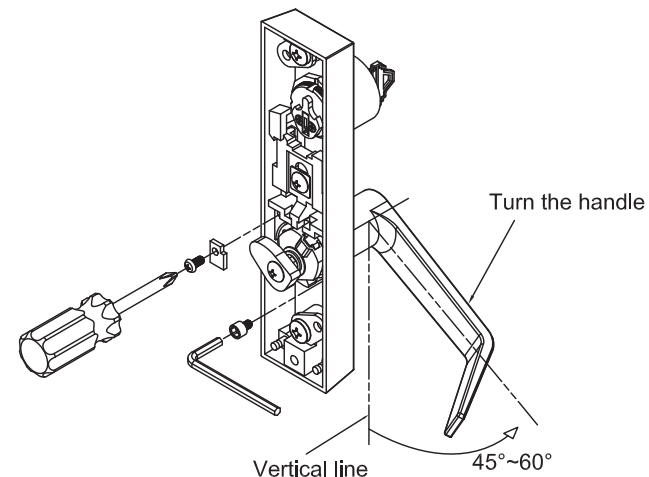


CAL-ROYAL GLSCVR98 SERIES LEVER TRIM ESCUTCHEON HOW TO CHANGE HANDING OF LEVER LHR

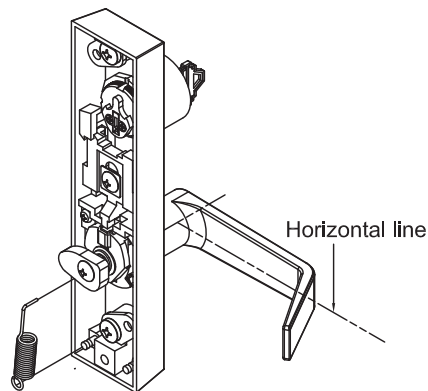
1. Lever Trim shipped and supplied with lever positioned neutral, Non-Handed



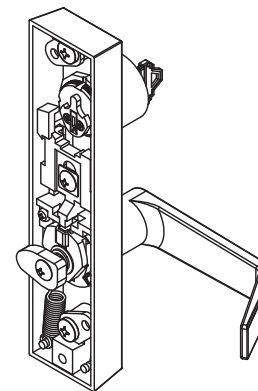
2-1. Rotate lever handle to LHR, position lever 45°~60°.
2-2. Fasten stop screw on the other side using hex wrench.
2-3. Fasten guide stop plate to case at the same side of hub spring.



3. Mount the hub spring on the opposite groove pin.



4. Done.



Method for replacing cylinder.

1. With locking slide in down position, unscrew cylinder nut and remove the cylinder and ring.
2. Replace cylinder by reversing above procedure. Make sure that cylinder cam points up and correct length of ring is used.