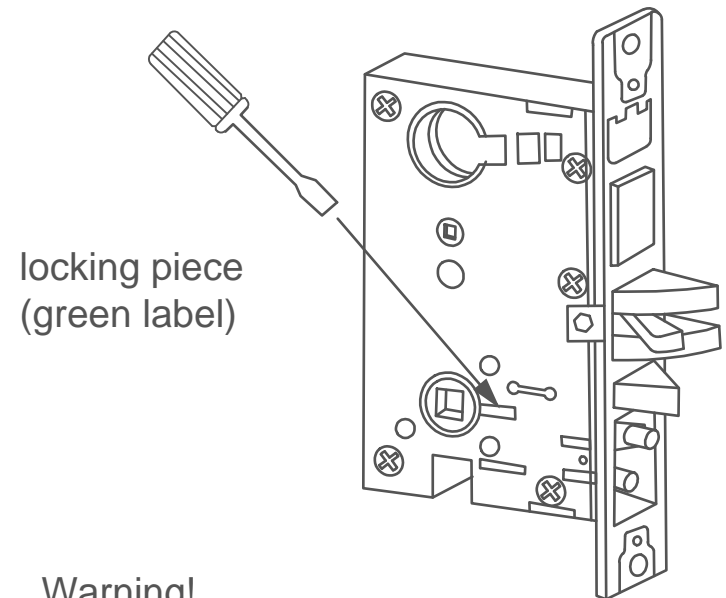
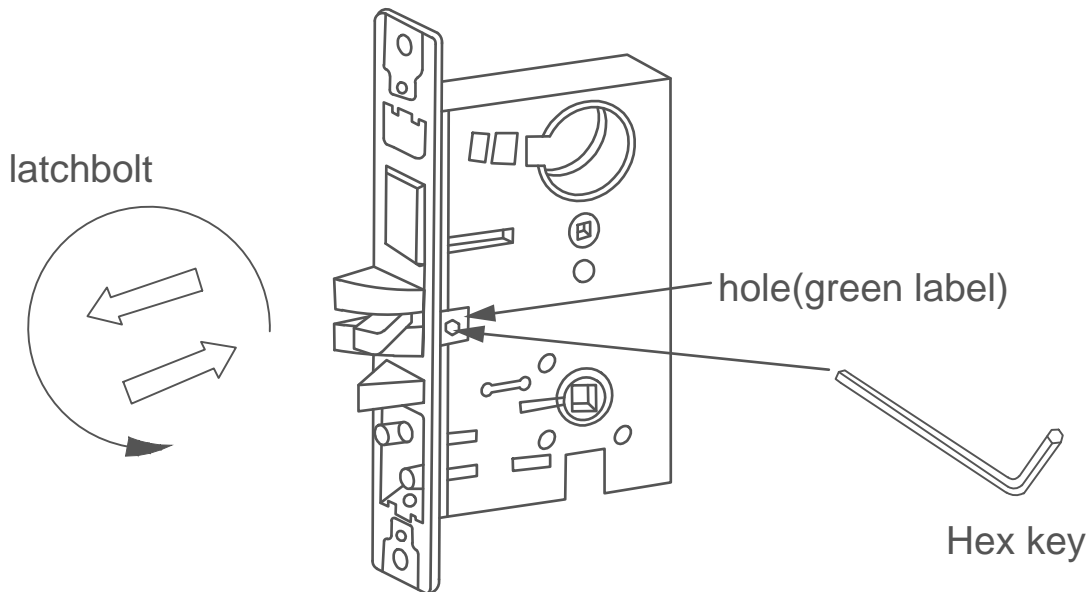


HOW TO CHANGE HANDING



If it is necessary to change handing, the instruction is as follows.

1. Use Hex Key to unfasten the screw in the hole behind latch bolt (green label).
2. Pull latchbolt out until it is entirely away from lock case.
3. Rotate latchbolt to adjust handing.
4. Fasten the screw tightly into the hole and glue with Threadlocker (Loctite 242).
5. Use blade of screwdriver to flip locking piece (green label) forward twice to Front Side.
6. Handing is completely reversed.



Warning!
Please read the instruction on the installation guide about the correct position of spring cage.

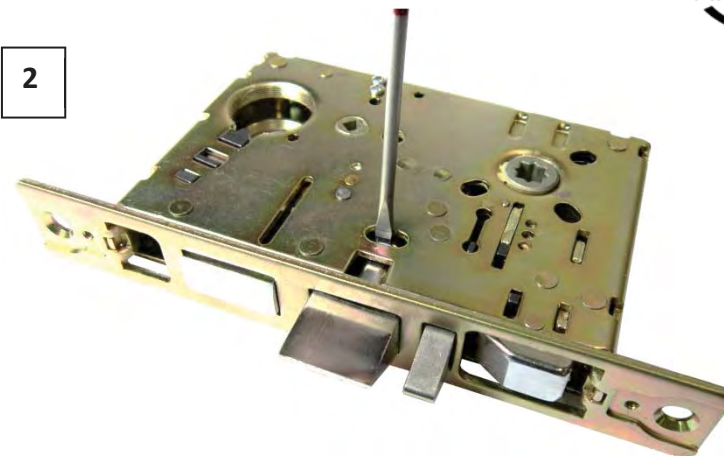
HOW TO REVERSE LATCH



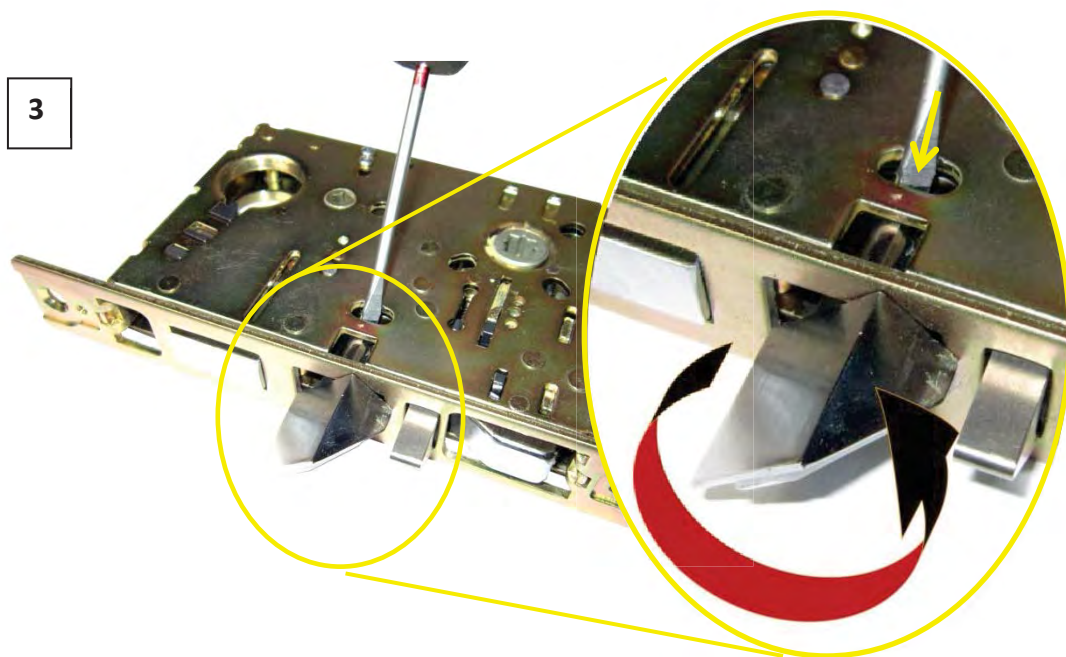
1



2



3



4

