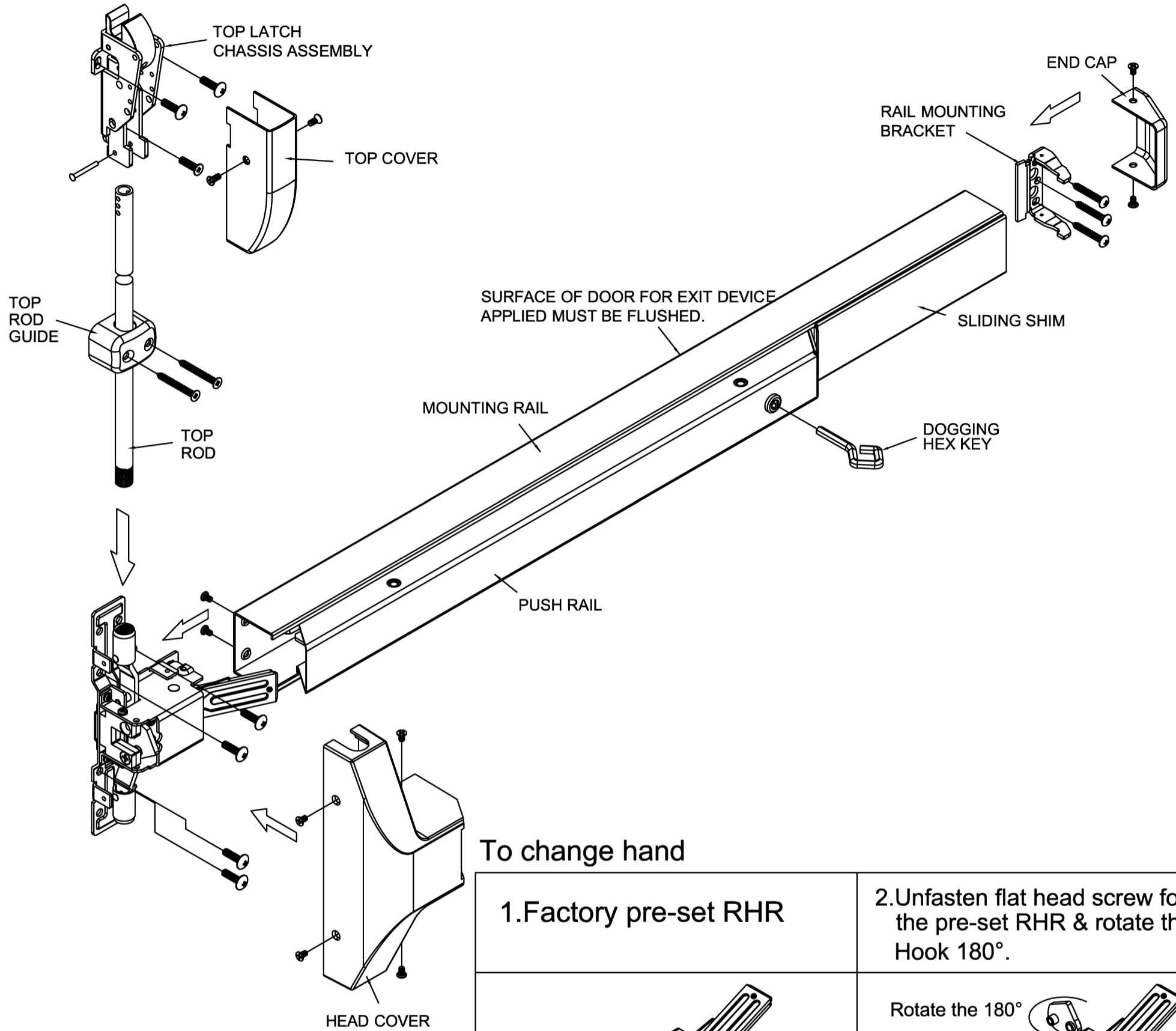
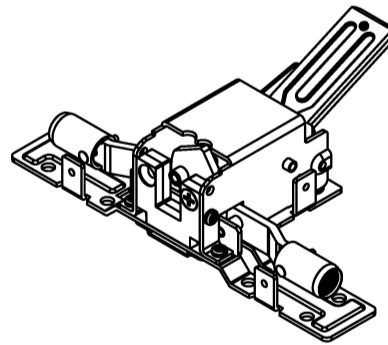


# INSTALLATION INSTRUCTIONS FOR LBR98GLS-SVR SERIES PANIC VERTICAL ROD EXIT DEVICE

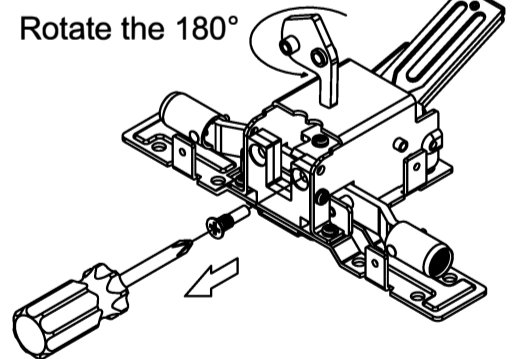


## To change hand

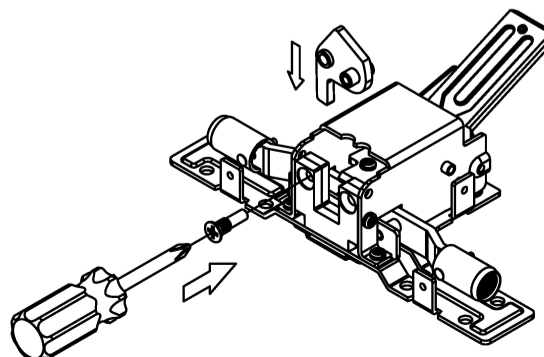
1. Factory pre-set RHR



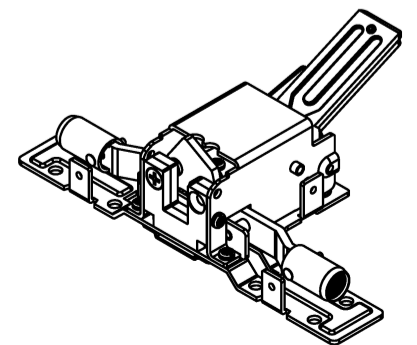
2. Unfasten flat head screw from the pre-set RHR & rotate the Hook 180°.



3. Put in hook & fasten flat head screw to the other end for LHR.



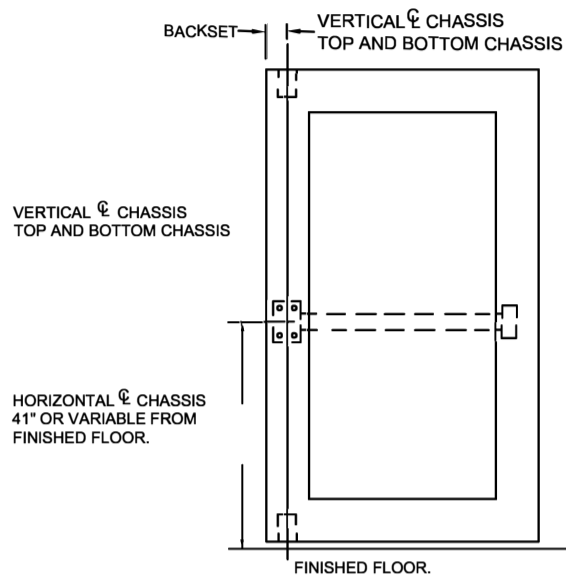
4. Now already changed to LHR



## 1. MARK VERTICAL AND HORIZONTAL REFERENCE LINE ON DOOR.

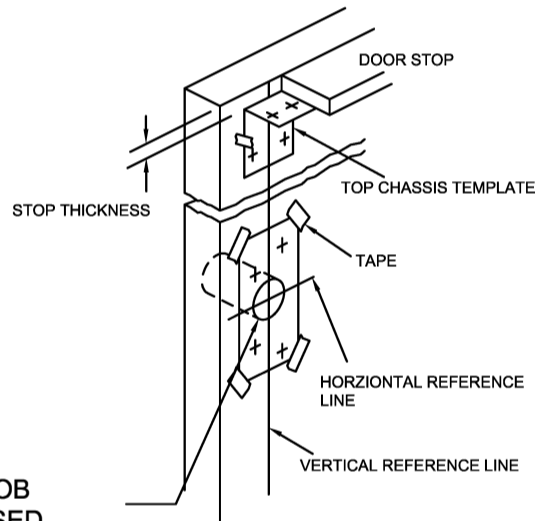
DETERMINE BACKSET TO LOCATE VERTICAL REFERENCE LINE.

1. IF LOCK STILE IS 4-1/2" WIDE OR WIDER, BACKSET IS 2-3/4".
2. IF LOCK STILE IS LESS THAN 4-1/2" WIDE, BACKSET IS HALF OF THE EXPOSED WIDTH OF LOCK STILE.



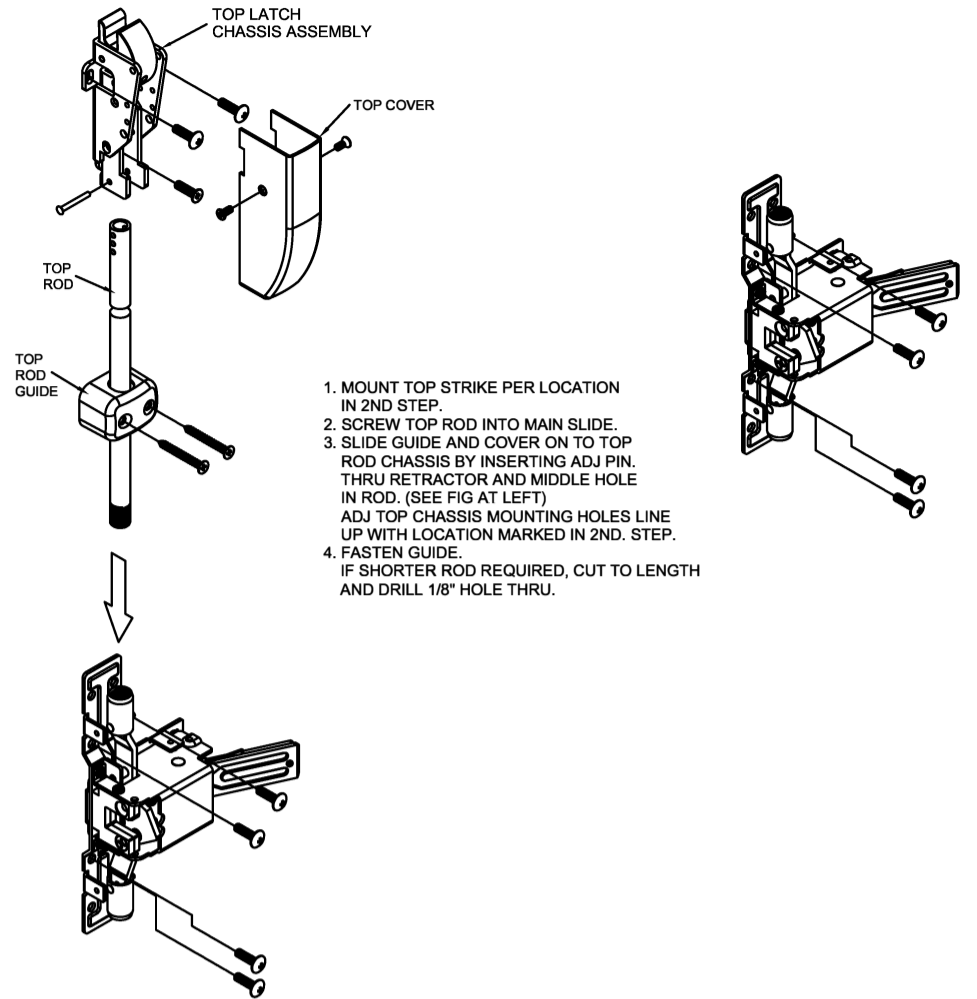
## 2. PREPARE DOOR

TAPE TEMPLATE ON INSIDE OF DOOR ALONG REFERENCE LINE. SPOT AND DRILL HOLE.



2-1/8" BORE WHEN KNOB AND LEVER TRIM IS USED.

## 4. ATTACH TOP CHASSIS

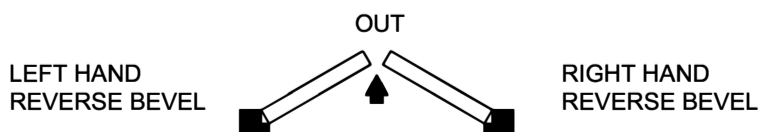


1. MOUNT TOP STRIKE PER LOCATION IN 2ND STEP.
2. SCREW TOP ROD INTO MAIN SLIDE.
3. SLIDE GUIDE AND COVER ON TO TOP ROD CHASSIS BY INSERTING ADJ PIN. THRU RETRACTOR AND MIDDLE HOLE IN ROD. (SEE FIG AT LEFT) ADJ TOP CHASSIS MOUNTING HOLES LINE UP WITH LOCATION MARKED IN 2ND. STEP.
4. FASTEN GUIDE.  
IF SHORTER ROD REQUIRED, CUT TO LENGTH AND DRILL 1/8" HOLE THRU.

## 3. APPLY TRIM

BEFORE INSTALLING DEVICE, PLEASE CHECK:

1. IF DOOR FITTED AND HUNG.
2. SIZE OF EXIT DEVICE, FUNCTION AND DESIGN...
  - 2.1. 36" DOORS, CAN BE CUT TO FIT DOORS DOWN TO 30" WIDE.
  - 2.2. 48" DOORS, CAN BE CUT TO FIT DOORS DOWN TO 36" WIDE.
- 2.3. HAND OF DEVICE AGAINST APPLICATION



## 6. APPLY COVER

CHECK FINAL OPERATION OF DEVICE AND ADJUST THEN FASTEN COVERS.

