
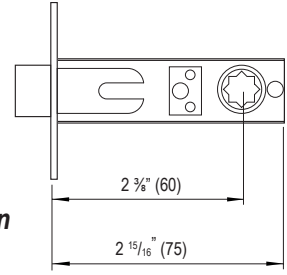



# LATCHES



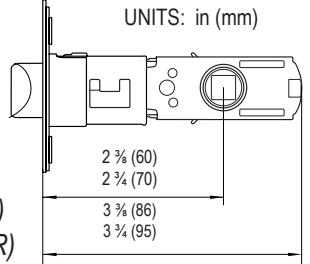
**CTPAS238 (Passage)**  
**CTPRI238 (Privacy)**  
**45 Degree Latch Retraction**  
 (Grade 3)  
**Backset:** 2 3/8" (60)  
**Function:** Passage, Privacy  
**Faceplate:** 1" x 2 1/4" (25 x 57)  
**Material:** Stainless Steel




2 3/8" (60)  
 2 15/16" (75)



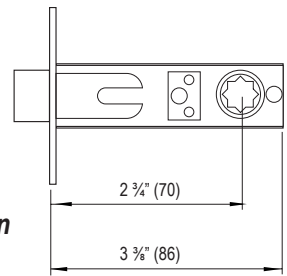
**G2PAS (Passage)**  
**G2PRIIR (Privacy LR)**  
**G2PRIIO (Privacy LHR)**  
**45 Degree Latch Retraction**  
 (Grade 2)  
**Backset:** Adjustable 2 3/8" (60) and 2 3/4" (70)  
**Function:** Passage, Privacy  
**Faceplate:** 1" x 2 1/4", Stainless Steel  
**Material:** Stainless Steel Latch



UNITS: in (mm)  
 2 3/8" (60)  
 2 3/4" (70)  
 3 3/8" (86)  
 3 3/4" (95)




**CTPAS234 (Passage)**  
**CTPRI234 (Privacy)**  
**45 Degree Latch Retraction**  
 (Grade 3)  
**Backset:** 2 3/4" (70)  
**Function:** Passage, Privacy  
**Faceplate:** 1" x 2 1/4" (25 x 57)  
**Material:** Stainless Steel




2 3/4" (70)  
 3 3/8" (86)

UNITS: in (mm)



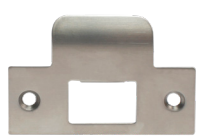
**APS PVC**  
**Anti-Pry Shield (PVC)**  
 (Optional)  
**Backset:** 2 3/8" (60) standard, 2 3/4" (70) optional  
**Door Thickness:** 1 3/8" (35) and 1 3/4" (44)  
**Material:** Heat Resistant PVC



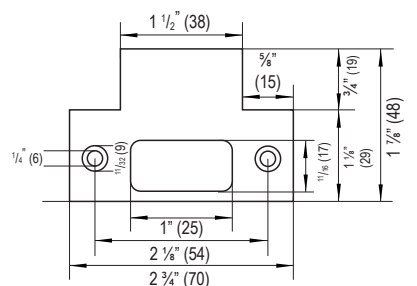
**APS ZINC**  
**Anti-Pry Shield (Zinc Alloy)**  
 (Optional)  
**Backset:** 2 3/8" (60) standard, 2 3/4" (70) optional  
**Door Thickness:** 1 3/8" (35) and 1 3/4" (44)  
**Material:** Zinc Alloy

# STRIKES

All latches come with both T-Strike and Full-lip Strike standard




**TS**  
**T-Strike**  
 1 1/8" x 2 3/4", with lip 1 1/2" x 1/2"

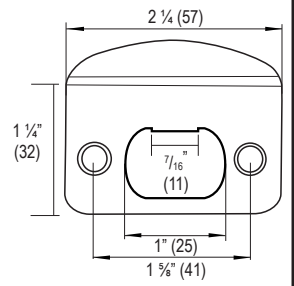


1 1/2" (38)  
 5/8" (15)  
 3/4" (19)  
 1 1/8" (29)  
 1 1/8" (29)  
 1" (25)  
 2 1/8" (54)  
 2 3/4" (70)

UNITS: in (mm)




**FLS**  
**Full-lip Strike 1/4" Corner**  
 1 3/4" x 2 1/4"

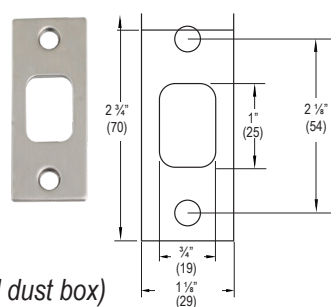


2 1/4" (57)  
 1 1/4" (32)  
 7/16" (11)  
 1" (25)  
 1 5/8" (41)

UNITS: in (mm)




**T2STRK**  
**Deadbolt Strike 1/8" Corner**  
 (with reinforcement plate and dust box)  
 1 1/8" x 2 3/4" (29 x 70)

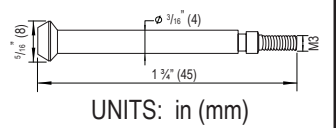


2 3/4" (70)  
 1" (25)  
 2 3/4" (54)  
 3/4" (19)  
 1 1/8" (29)

UNITS: in (mm)




**CTPRIPIN**  
**Privacy Pin**  
 Comes with all privacy latches



1/16" (1)  
 3/16" (4)  
 1 3/4" (45)

UNITS: in (mm)



**ALLENKEY**  
**Allen Key**  
 Comes with all locksets



**EMRELPIN**  
**Emergency Release Pin**  
 Comes with all privacy latches