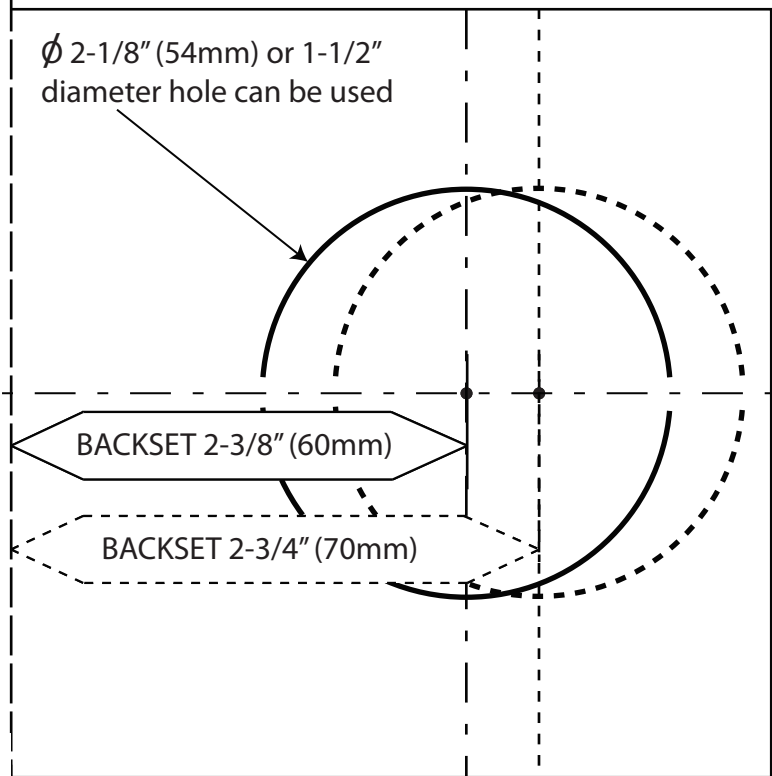
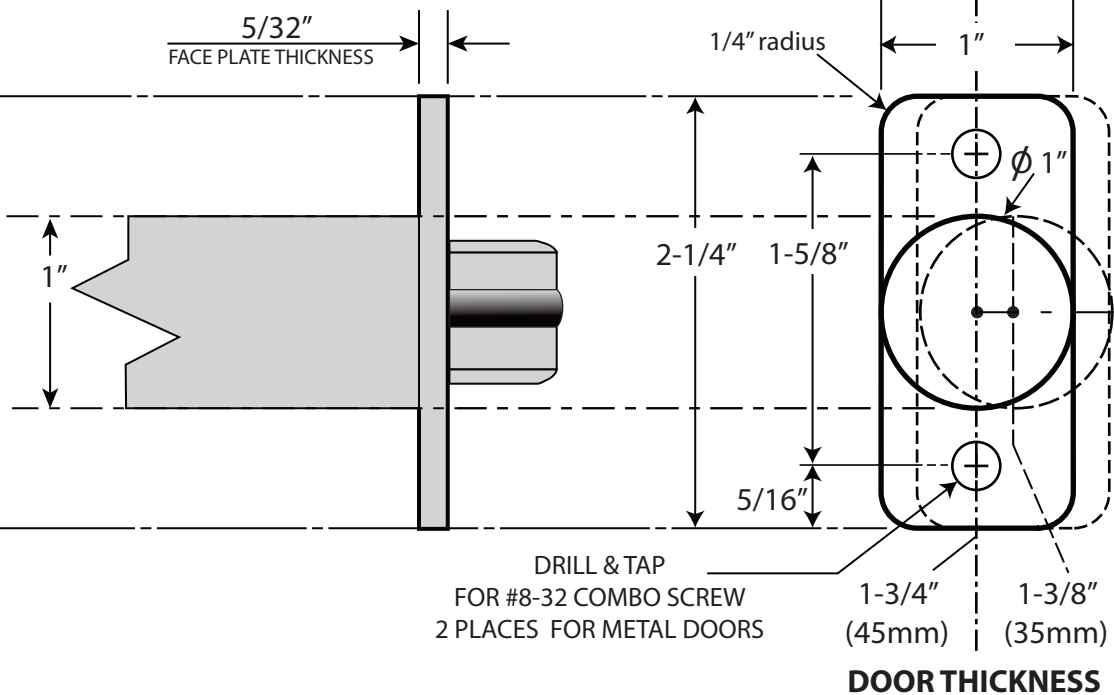


DRILL 1"(25mm) HOLE  
AT CENTER OF  
DOOR EDGE

FOLD ON DOOR EDGE  
FOLD ON DOOR EDGE



**1. MARK DOOR**

- A. Fold and apply to high edge of door bevel and mark center of door edge as indicated on template at the desired height from the floor.
- B. Mark center hole on door face through guide on template for 2-3/8" (60mm) or 2-3/4" (70mm) backset.

**2. DRILL HOLES**

- A. Drill thru door face as marked for lockset. It is recommended that holes be drilled from both sides to prevent splitting. Hole size is 2-1/8"(54mm) for standard installations.
  - B. Drill 1"(25mm) hole in center of door edge thru 2-1/8"(54mm) hole for latch.
- CAUTION: Check center of latch hole for alignment with strike center on jamb to ensure free movement of latch bolt.



6605 Flotilla St.  
City of Commerce  
CA 90040 USA  
Tel: (323) 888-6601  
FAX: (323) 888-6699  
Website: cal-royal.com  
Email: sales@cal-royal.com

| ITEM NO.      | DESCRIPTION   | ANSI    | SCALE       | UNIT           | VERSION             |
|---------------|---|---------|-------------|----------------|---------------------|
| <b>MAY-00</b> | <b>CHELSIE SERIES<br/>RESIDENTIAL TUBULAR LOCKSET<br/>FUNCTION: ENTRY</b> | Grade 3 | 1 : 1       | inches<br>(mm) | ver. 1.0 rev. 01/12 |
|               |   |         | PAGE 1 OF 1 |                | <b>BY: bteves</b>   |