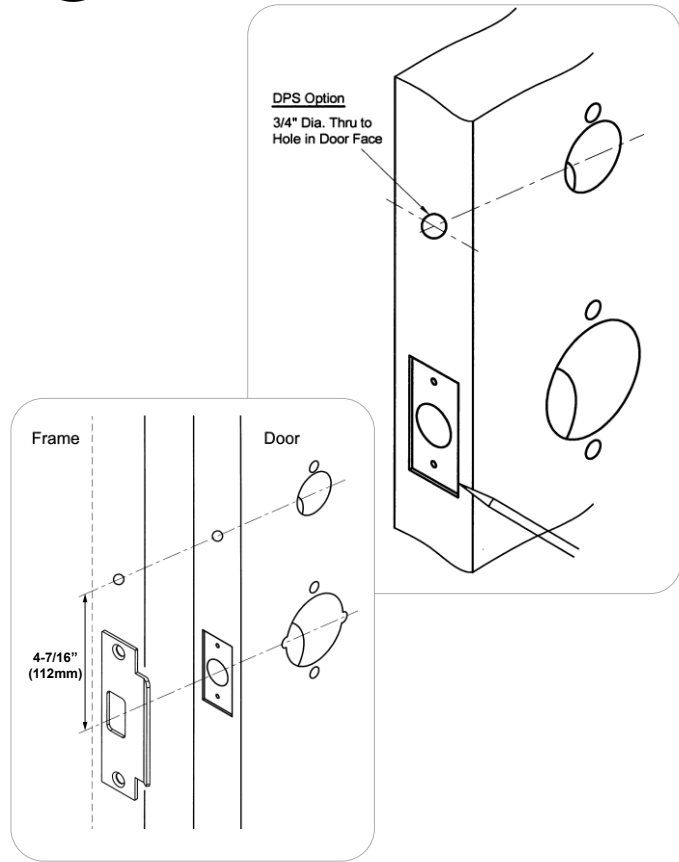
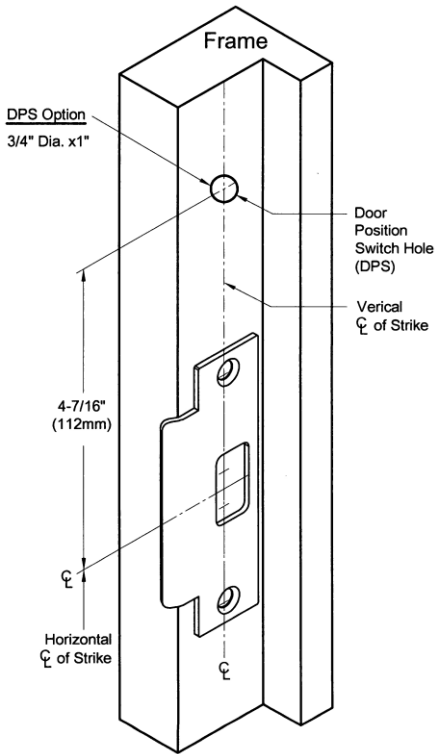
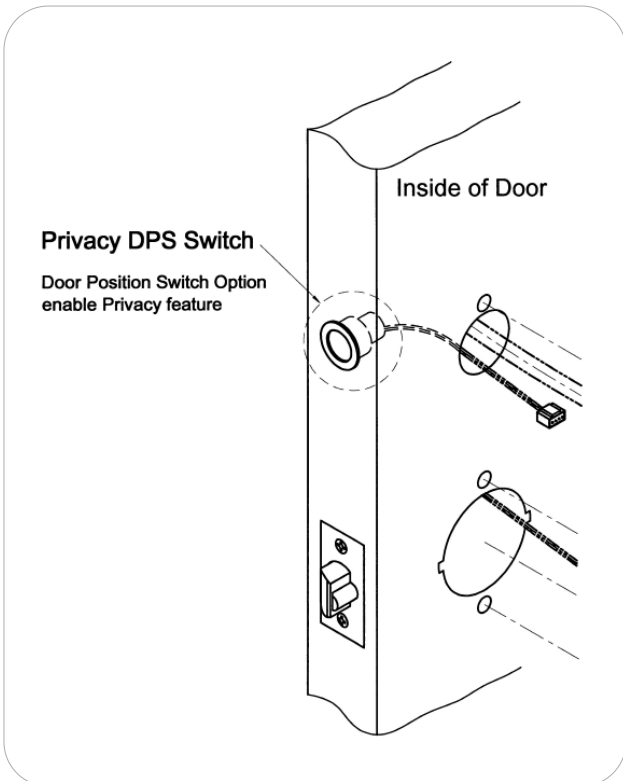


CR6501 (Privacy function)
Instruction Sheet for Drilling
DPS hole in the frame

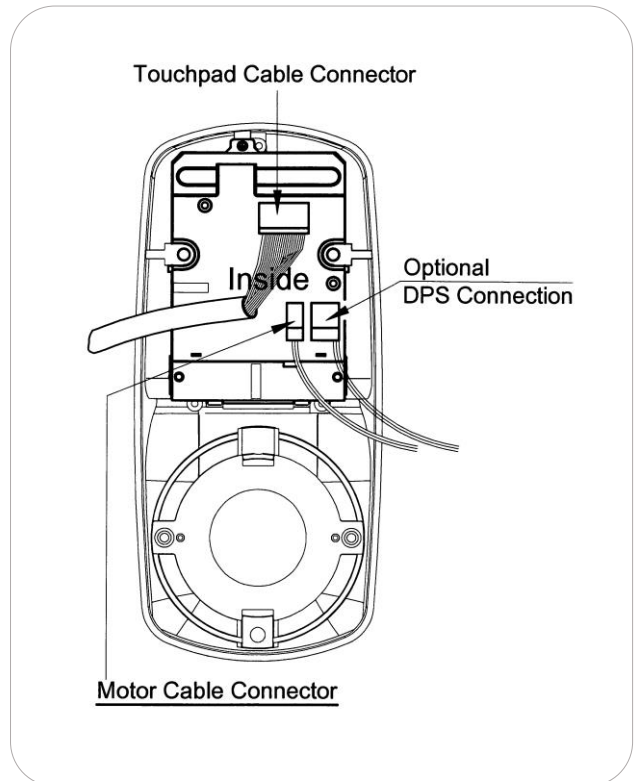
1 Prepare Door



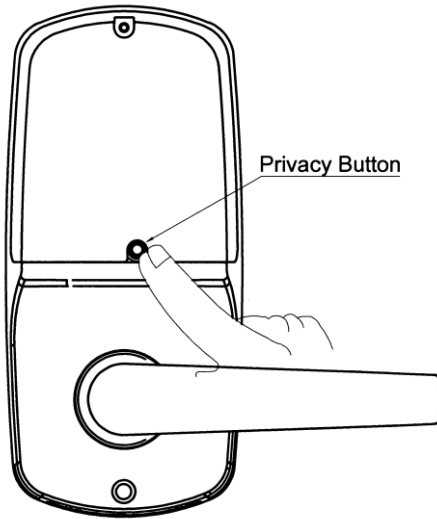
2 Install DPS Switch



3 Attach DPS Cable to Inside Lock



1 Setting Up the Privacy mode



Inside Lock

Locking Door with Privacy Button

→ MstrPIN # → 0 # → 4 Privacy # → 1 Enable *
 → 3 Disable *

Privacy mode : 1 Enable to 3 Disable
 (factory default 3 Disable)

2 Definitions

Privacy Button to Lock Door: A press of this button will lock the door.

Privacy Mode: With optional Door Position Switch installed, Privacy Mode enabled thru Menu Mode and door closed, all keypad function can be disabled with a press of the Privacy Button. Privacy Mode is disabled by default. Enable Privacy Mode thru Main Menu selection #0 then #4. With door closed, press and hold the privacy button until beep sound indicates Privacy Mode is enabled. Privacy Mode duration ends when door is opened and Privacy Mode is disabled.