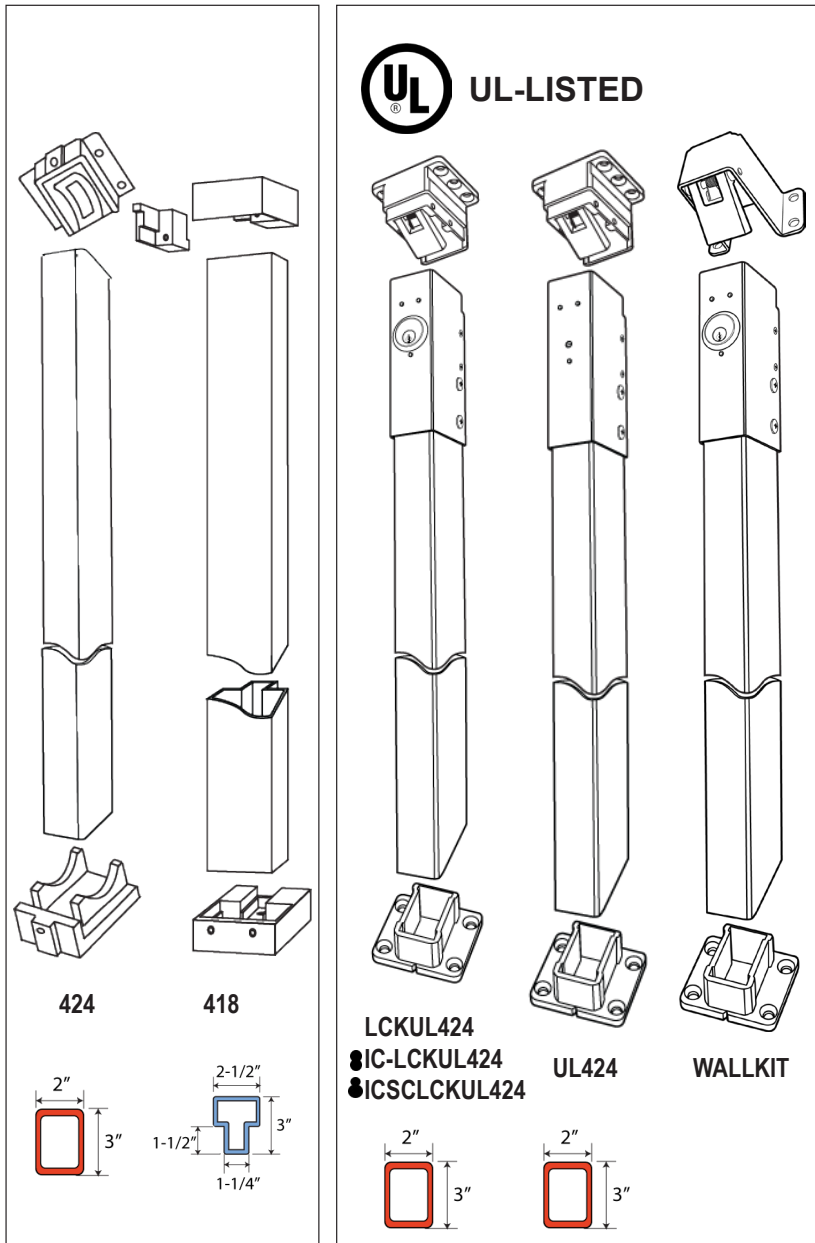


REMOVABLE AND LOCKABLE MULLIONS

2" x 3" x 8' Steel Tubing Round Corner, Iron Construction with Iron Top and Bottom Retainers.
To be used with two Rim Type Devices on two independent active doors with full double door openings.

- LOCKABLE*
- REMOVABLE
- UL-LISTED**
- FIRE RATED

For pricing & availability inquiries contact your Local Distributor or click [here](#) for the list of our Sales Representatives



PART #	DESCRIPTION
UL424**	UL-Listed Fire Exit Mullion
LCKUL424*	Lockable, UL-Listed Fire Exit Mullion. Schlage C keyway.
IC-LCKUL424	Lockable, UL-Listed Fire Exit Mullion Small Format Interchangeable core for BEST, FALCON and ARROW
IC-SCLCKUL424	Lockable, UL-Listed Fire Exit Mullion. Full Size Format Schlage Interchangeable Core
418	96" T-Shaped Aluminum Non-Fire Rated Application (USP)
424	96" Rectangular Steel Mullion Fire Rated Application (USP)
ACCESSORIES	
418 BRACKETS	Top and bottom brackets with screw for 418 mullion
424 BRACKETS	Top and bottom brackets with screw for 424 mullion
UL424 BRACKETS	Top and bottom brackets with screw for UL424 mullion
LCKUL424-TF	Top Fitting Kit to convert UL424 to LCKUL424
WALLKIT	Wall Mounted Mullion Storage Kit for UL424 and LCKUL424

Mullion storage kits are now available providing a safe and convenient way to store the mullion when removed. Use part # **WALLKIT** when ordering. **Note: Wallkit is applicable to UL424 & LCKUL424 Only.**

Full Kit includes:

(1) Top Mullion Holder, (1) Bottom Bracket, (8) Machine Screws, (8) Expansion Anchors

****Mullion not included**