

Installation Instructions and Template:

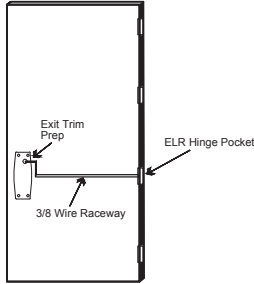
N-CVRESC-EU/EL

Cal Royal Electric Exit Trim

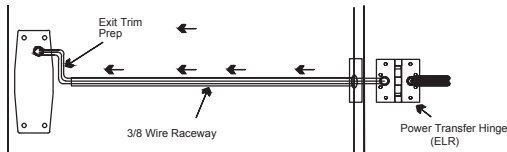


WIRING LAYOUT INSTRUCTION

STEP 1: The door must be machined with a 3/8" wire raceway, Exit Trim & prepped for a energy transfer hinge. Make sure the pocket is free of debris.

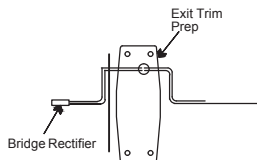


STEP 2: Run the wires from the ELR hinge through the 3/8" raceway starting at the ELR hinge & exiting into the pocket.

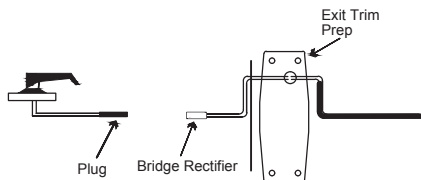


STEP 3: Screw the ELR hinge to the door. At this time DO NOT connect the hinge wires on the jamb side to the wires coming from the power supply.

STEP 4: Connect the wires exiting the pocket to the Bridge Rectifier (included).



STEP 5: Connect the Bridge Rectifier to the plug exiting the Electric Exit Trim.



STEP 6: Carefully slip the connected Electric Exit Trim into the pocket paying close attention not to pinch any wires.

STEP 7: Mount the Electric Exit Trim per manufacturer's instructions.

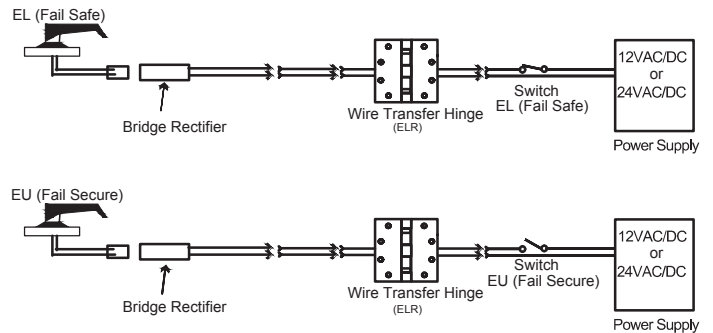
STEP 8: Connect the wires from the power supply at the ELR hinge on the jamb side. Connect the hinge to the jamb.

LEGEND OF TERMS

EU: (Fail Secure) When power is applied, the outside trim will unlock. When power is removed, the outside trim is locked.

EL: (Fail Safe) When power is applied, the outside trim will lock. When power is removed, the outside trim is unlocked.

SCHEMATIC DIAGRAM



ELECTRICAL SPECIFICATIONS

SOLENOIDS:

VOLTS	CURRENT	COIL RESISTANCE
11V~30VDC	330mA(11V)	8.2 Ohms +/- 10%
10V~24VAC	140mA(30V)	

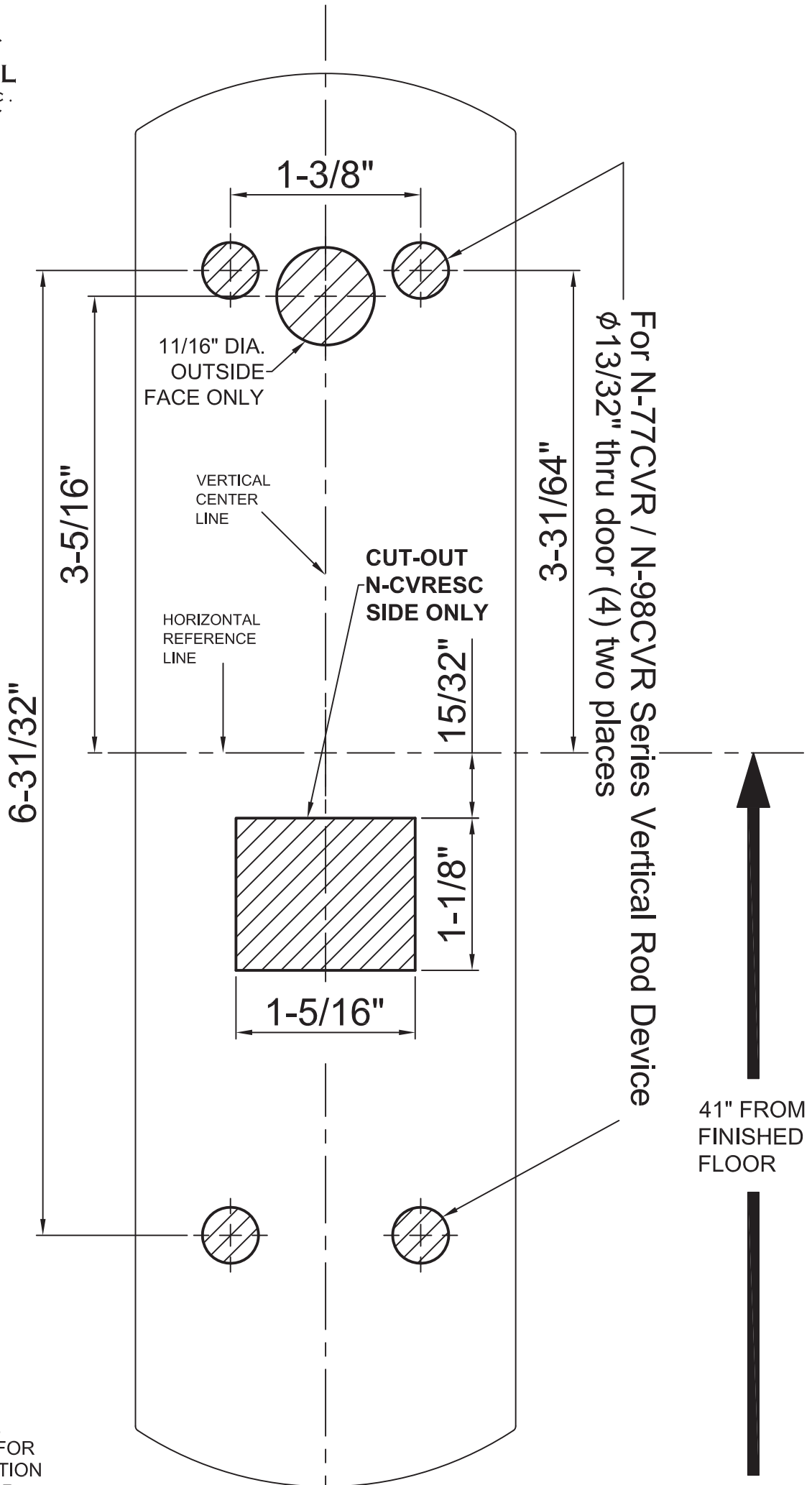
SWITCH RATING: .25A 175VAC/DC

WIRE DIMENSIONS: 300V 22AWG

EDG-4047-07/23-1of2

TEMPLATE for

N-CVRESC-EU/EL Esc Lever Trim for N-77CVR / N-98CVR Series
 Vertical Rod Device



REFER TO INSIDE
 TRIM TEMPLATE FOR
 MOUNTING LOCATION
 OUTSIDE OF DOOR

41" FROM
 FINISHED
 FLOOR