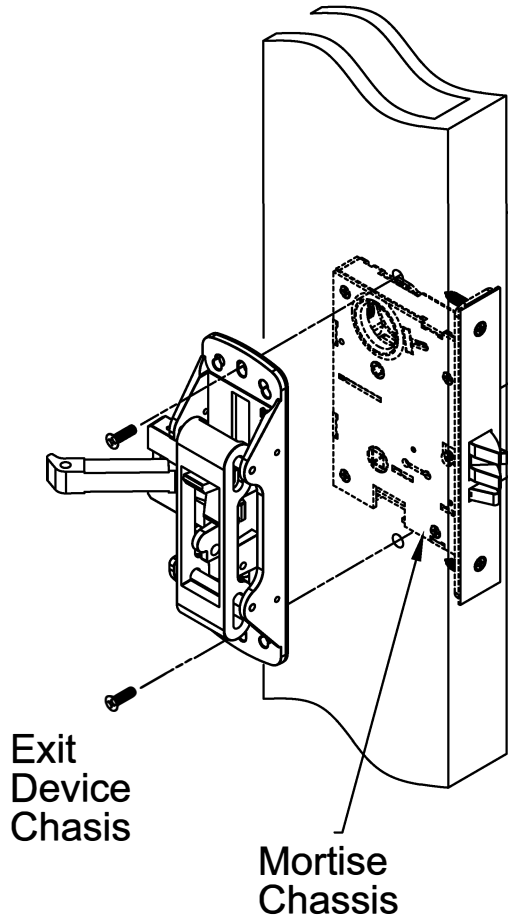
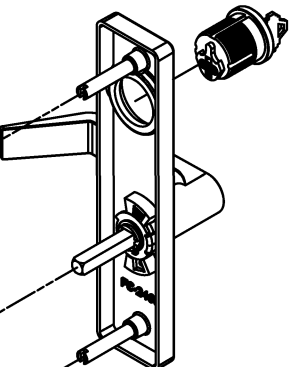
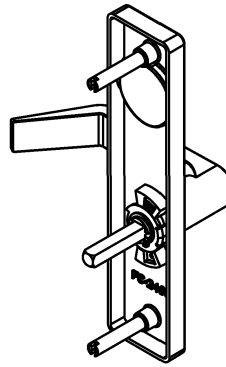
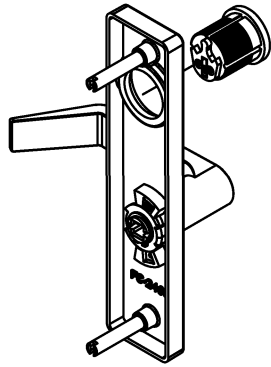
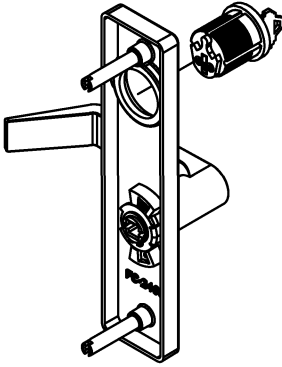




# INSTRUCTIONS FOR CAL-ROYAL NMRESC TRIM FOR N-MR7700 / N-MR9800 SERIES MORTISE EXIT DEVICE



NMRESC-7700	NMRESC-7730	NMRESC-7740	NMRESC-7705
NMRESC-9800	NMRESC-9830	NMRESC-9840	NMRESC-9805
 <p>Key locked and Unlock mortise lock Lever operate To open</p>	 <p>No Cyl, Trim Always Operable</p>	 <p>Pull when Push bar locked down Dummy Esc Lever Trim</p>	 <p>Rigid Lever, Cyl Esc Lever Trim</p>
<b>00 function Entrance</b>	<b>30 function Passage</b>	<b>40 function Dummy</b>	<b>05 function Storeroom</b>
Attach the collar and mortise cyl to the esc case with mortise nut, attach case to door thru bolting (2) screws to the chassis, aligning spindle to hub	Attach Esc case to door thru bolting the (2) screws to the chassis, allaning spindle to hub of the Chasis	Attach the cooar and dummy cyl to the esc case with mortise nut, attach case to door thru bolting (2) screws to the chassis,	Attach the collar and mortise cyl to the esc case with mortise nut, attach case to door thru bolting (2) screws to the chassis, aligning sprindile to hub

# CAL-ROYAL NMRESC Lever Trim For N-MR7700 / N-MR9800 SERIES

## Method of Change Handing of Lever , LHR (Reverse step for RHR)

1. Lever Trim shipped and supplied with lever positioned neutral, Non-Handed

2-1. Rotate lever to desired hand, LHR, position at 90°~95°  
2-2. Fasten guide stop plate to case

3. Done

1. Lever Trim shipped and supplied with lever positioned neutral, Non-Handed

2-1. Rotate lever to desired hand, RHR, position at 90°~95°  
2-2. Fasten guide stop plate to case

3. Done