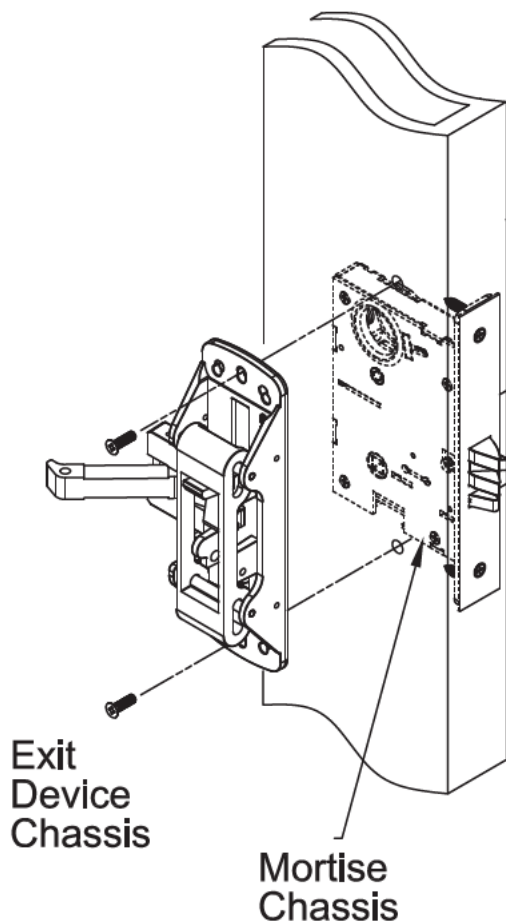
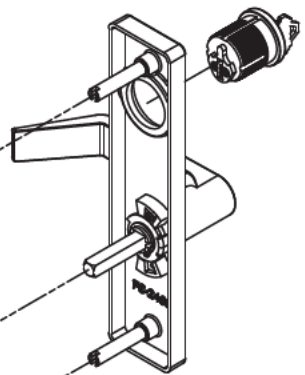
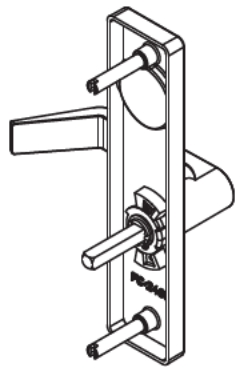
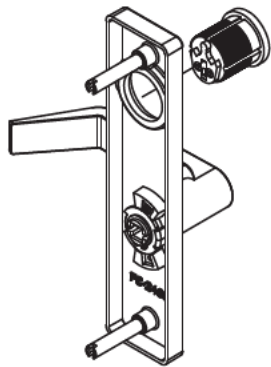
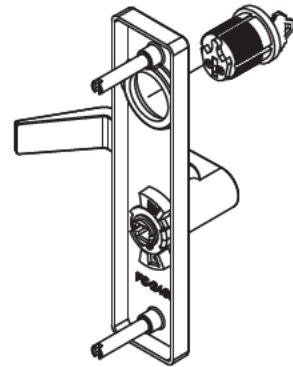




INSTRUCTIONS FOR CAL-ROYAL N-MRESC TRIM FOR N-MR7700 / 9800 SERIES MORTISE EXIT DEVICE

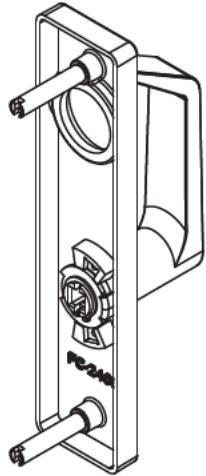


N-MRESC-7700	N-MRESC-7730	N-MRESC-7740	N-MRESC-7705
N-MRESC-9800	N-MRESC-9830	N-MRESC-9840	N-MRESC-9805
 <p>Key locked and Unlock mortise lock Lever operate To open</p>	 <p>No Cyl, Trim Always Operable</p>	 <p>Dummy Esc Lever Trim</p>	 <p>Clutch Lever, Cyl Esc Lever Trim</p>
00 function Entrance	30 function Passage	40 function Dummy	05 function Storeroom
Attach mortise cyl to the esc case with mortise mut, attach case to door thru bolting (2) screws to the chassis, aligning spindle to hub	Attach Esc case to door thru bolting the (2) screws to the chassis, aligning spindle to hub of the chassis	Attach the dummy cyl to the esc case with mortise mut, attach case to door thru bolting (2) screws to the chassis,	Attach mortise cyl to the esc case with mortise mut, attach case to door thru bolting (2) screws to the chassis, aligning spindle to hub

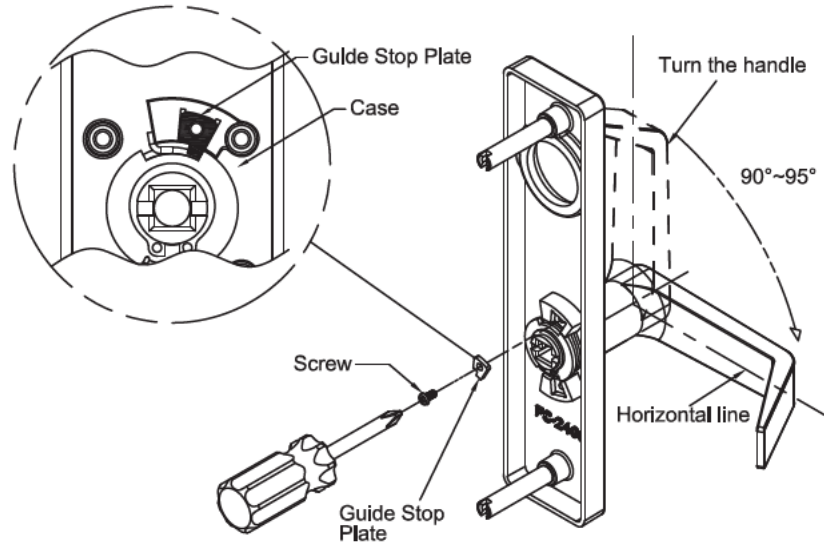
CAL-ROYAL N-MRESC Lever Trim For N-MR7700 / 9800 SERIES

Method of Changing Hand of Lever , LHR (Reverse step for RHR)

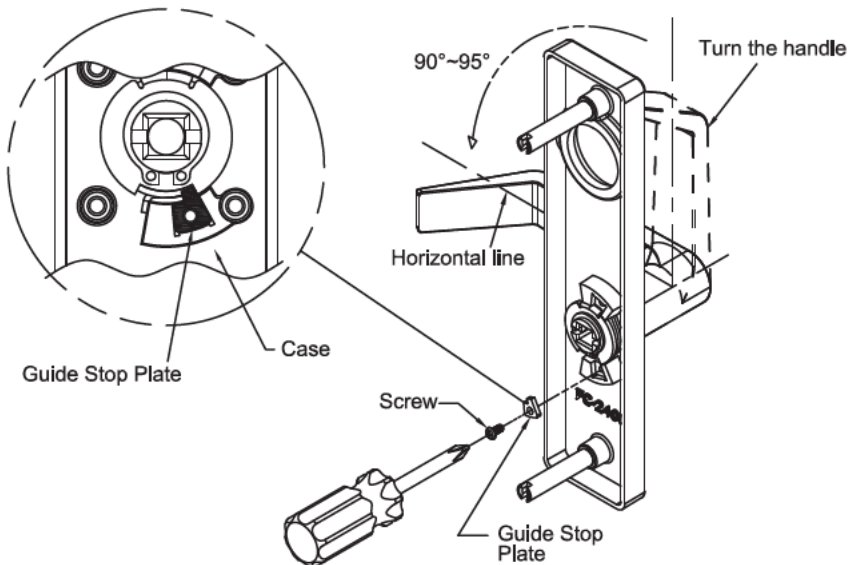
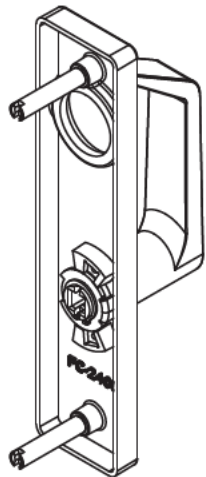
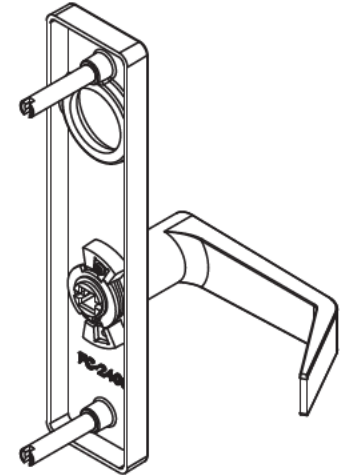
1.Lever Trim shipped and supplied with lever positioned neutral, Non-Handed



2-1.Rotate lever to desired hand, LHR, position at 90°~95°
2-2.Fasten guide stop plate to case



3.Done



1.Lever Trim shipped and supplied with lever positioned neutral, Non-Handed

2-1.Rotate lever to desired hand, RHR, position at 90°~95°
2-2.Fasten guide stop plate to case

3.Done

