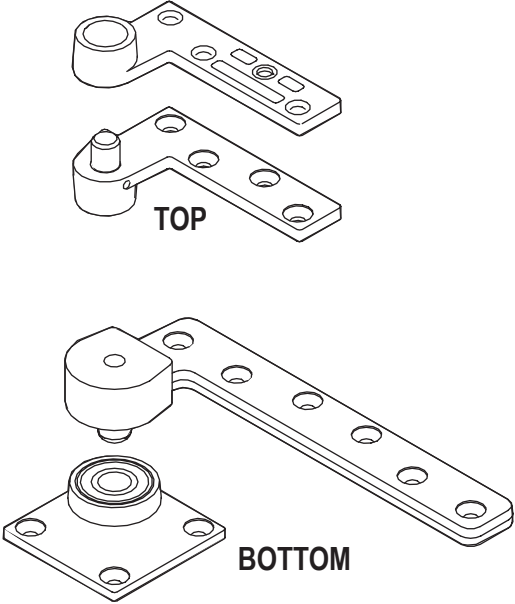
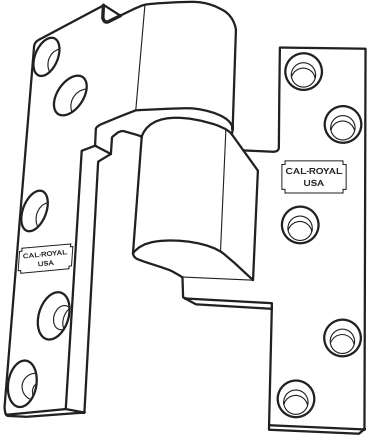
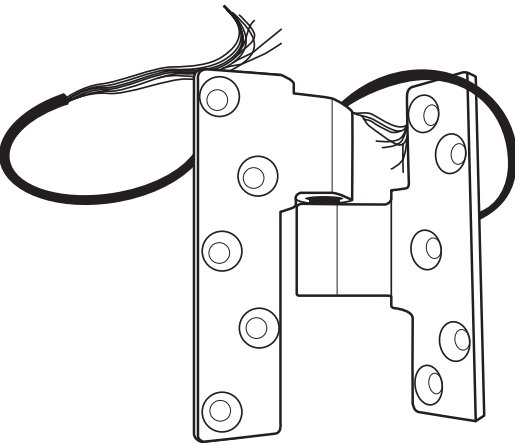


OFFSET AND INTERMEDIATE PIVOT HINGES

ILLUSTRATION	ITEM#	DESCRIPTION	FINISH	BOX QTY	CASE QTY
	<p>PV001</p>	<p>3/4" Heavy Duty Offset Top and Bottom Pivot Hinge Sold as set.</p>	<p>US10B US32D</p>	<p>1</p>	<p>6</p>
	<p>PV010</p>	<p>3/4" Intermediate Offset Pivot Hinge Specify Right Hand (RH) or Left Hand (LH)</p>	<p>US10B US32D</p>	<p>1</p>	<p>12</p>
	<p>ELEPV010</p>	<p>Electrified Intermediate Offset Pivot Hinge</p> <ul style="list-style-type: none"> • 4 wires, 26 gauge • Vertical adjustment up to 3/16" <p>Specify Right Hand (RH) or Left Hand (LH)</p>	<p>US10B US32D</p>	<p>1</p>	<p>---</p>