

OVAL CLOSET RODS

Features

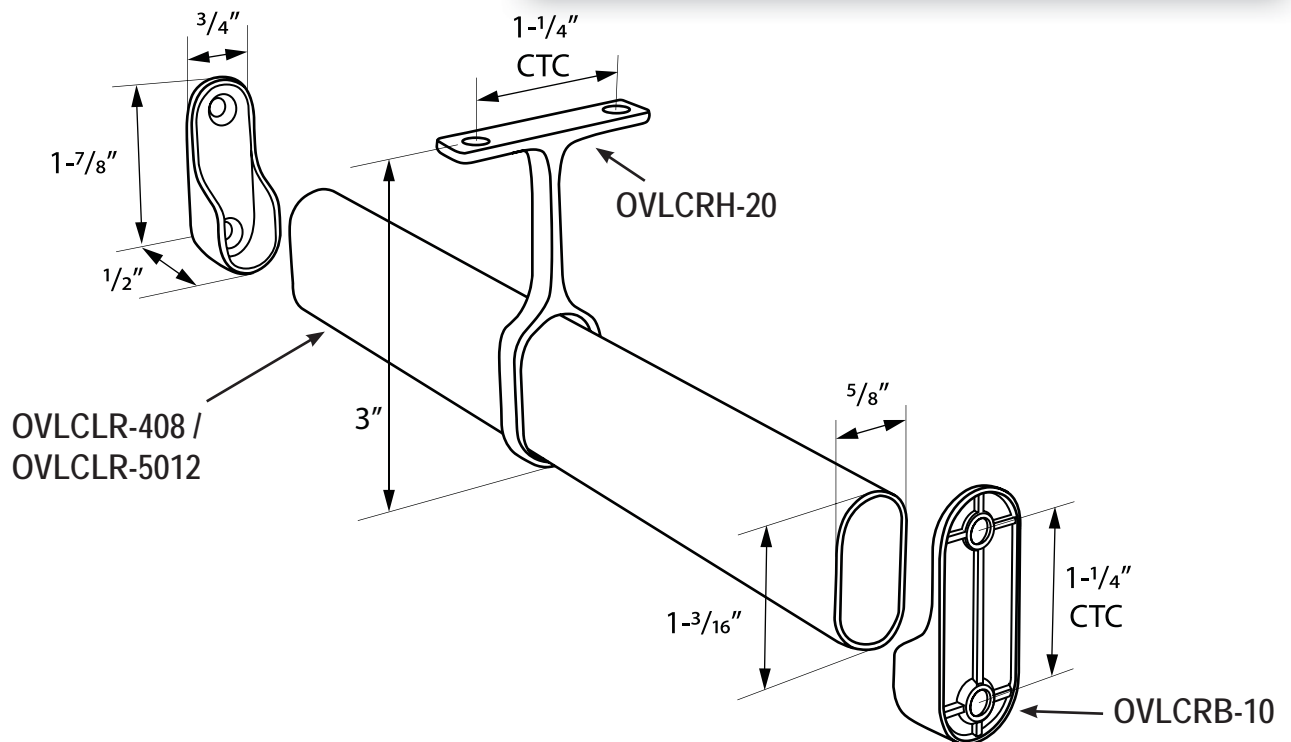
- Easy Installation
- Sturdy Steel Material
- Individually packed in nylon bag with screws
- Adjustable Rods in 2 lengths

Applications

- Residential and Commercial

Finish

- US26 - Bright Chrome



CAL-ROYAL PRODUCTS, INC.

6605 Flotilla St., City of Commerce, CA 90040 U.S.A.
 Phone: (323) 888-6601 • (800) 876-9258 • Fax: (323) 888-6699 • (800) 222-3316
 Email: sales@cal-royal.com • Website: www.cal-royal.com

The illustration and technical description in this cut sheet is current as of the date in the version date on the right. Cal-Royal Product reserves the right to, and may, on occasions, make changes and/or improvements in designs and dimensions without prior notice.

2018 01
 YEAR PRINTED / VERSION NO. 7

© Cal-Royal Products, Inc. 2018