

PH4545, INSTITUTIONAL PRISON HINGE HEAVY WEIGHT, FULL MORTISE CONCEALED BEARING

Features

- 3 Knuckles, Heavy Weight Full Mortise Concealed Bearing Hinge
- Welded, Ligature-Resistant, Hospital Tip and Reverse Security Stud Standard

Applications

- For use on 250-600 lbs doors

Size

- 4 1/2" x 4 1/2"

Gauge

- .190"

Material

- Stainless Steel with Stainless Steel Pin

Finishes

- US32D - Satin Stainless Steel

Fasteners

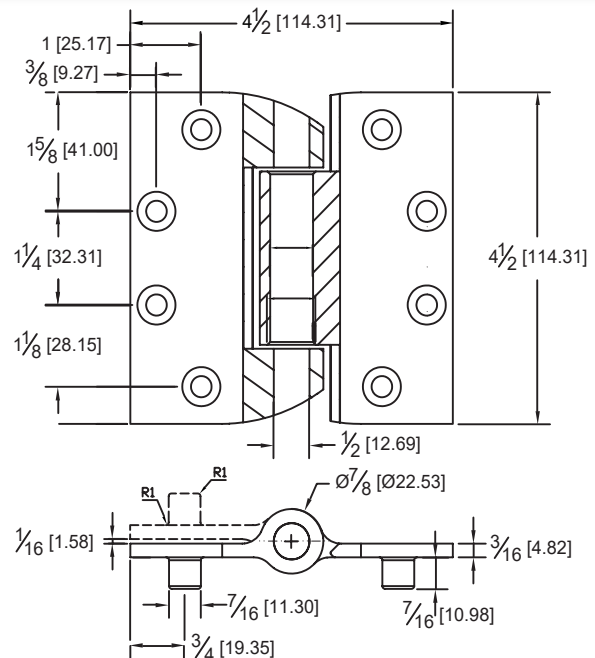
- Machine Screws: 1/2" x 1/4 - 20 Security Torx

Packaging

- Box Quantity: 2
- Case Quantity: 24

Code Compliance

- ANSI A15111 Compliant



CAL-ROYAL PRODUCTS, INC.

6605 Flotilla St., City of Commerce, CA 90040 U.S.A.
 Phone: (323) 888-6601 • (800) 876-9258 • Fax: (323) 888-6699 • (800) 222-3316
 Email: sales@cal-royal.com • Website: www.cal-royal.com

The illustration and technical description in this cut sheet is current as of the date in the version date on the right. Cal-Royal Product reserves the right to, and may, on occasions, make changes and/or improvements in designs and dimensions without prior notice.

(HGC-3059-03/24-1of1)

2024 01
 YEAR PRINTED

© Cal-Royal Products, Inc. 2024