

## PSHD-10

### HEAVY DUTY DIE CAST CLOSET POLE SOCKET

#### Features

- Pair includes one open-lip and one closed-lip socket
- Open-lip socket helps you install the sockets before inserting a closet pole
- Allows installation of the closet pole all the way to the wall
- for use with 1-1/4" to 1-5/16" diameter closet poles
- Individually poly-bagged
- Mounting screws included
- **Can be used with CLR-200 and CLR-500 Closet Rods**

#### Size

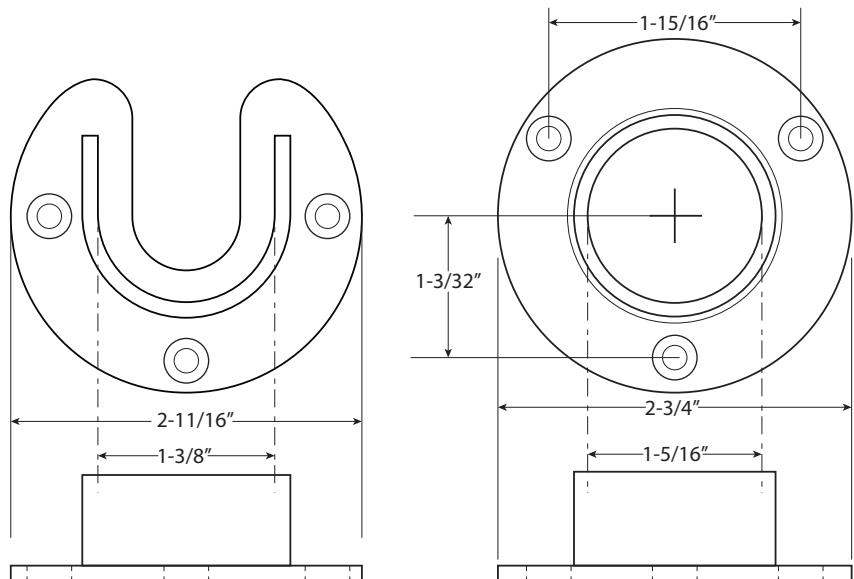
- 1-5/16" diameter pole

#### Material

- Zinc Alloy

#### Finish

- US26 - Polished Chrome



#### CAL-ROYAL PRODUCTS, INC.

6605 Flotilla St., City of Commerce, CA 90040 U.S.A.  
 Phone: (323) 888-6601 • (800) 876-9258 • Fax: (323) 888-6699 • (800) 222-3316  
 Email: sales@cal-royal.com • Website: www.cal-royal.com

The illustration and technical description in this cut sheet is current as of the date in the version date on the right. Cal-Royal Product reserves the right to, and may, on occasions, make changes and/or improvements in designs and dimensions without prior notice.

2019/01  
VERSION NO.1  
YEAR PRINTED

© Cal-Royal Products, Inc. 2019