

PUL-175 NIGHT LATCH CYLINDER PULL

Features

- Used to pull the front door shut
- It makes a great choice for those looking for a contemporary cylinder door pull
- To be fitted in conjunction with a night latch or lock cylinder on the exterior side of the front door
- This pull has a 1 ³/₁₆" diameter opening to accommodate most if not all cylinder types and sizes
- Surface Mounting
- **Accepts Rim Cylinder (order separately)**
- Individually Poly-Bagged

Material

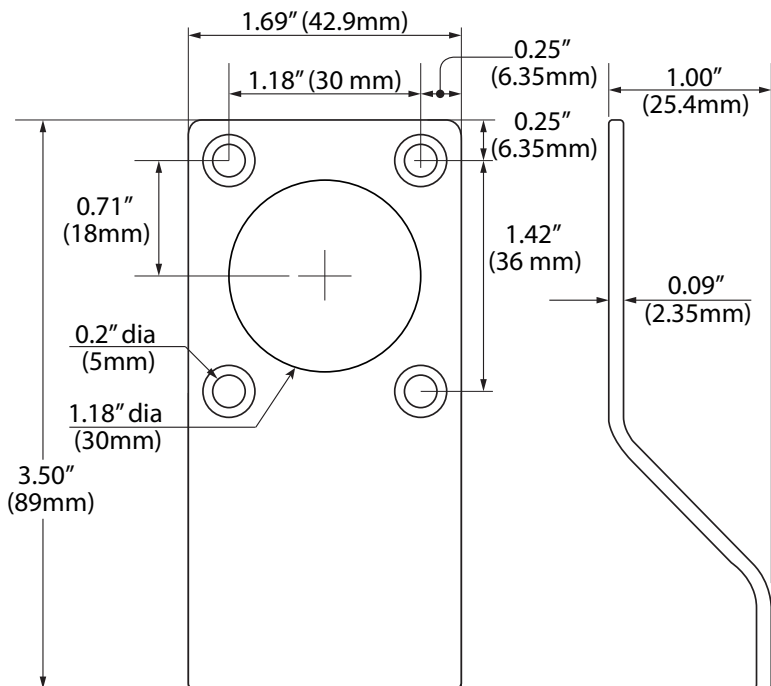
- Stainless Steel

Dimensions

- Cylinder Hole: 1 ³/₁₆"
- Pull Projection: 1"
- Height: 3 ¹/₂"

Finishes

- US32D - Satin Stainless Steel
- US10B - Oil Rubbed Bronze



CAL-ROYAL PRODUCTS, INC.

6605 Flotilla St., City of Commerce, CA 90040 U.S.A.
 Phone: (323) 888-6601 • (800) 876-9258 • Fax: (323) 888-6699 • (800) 222-3316
 Email: sales@cal-royal.com • Website: www.cal-royal.com

The illustration and technical description in this cut sheet is current as of the date in the version date on the right. Cal-Royal Product reserves the right to, and may, on occasions, make changes and/or improvements in designs and dimensions without prior notice.

2019/01
VERSION NO.
YEAR PRINTED

© Cal-Royal Products, Inc. 2019