

## RC88 JUMBO ROLLER CATCH

### Features

- Steel construction
- Individually poly-bagged
- Packed with screws and strike

### Material

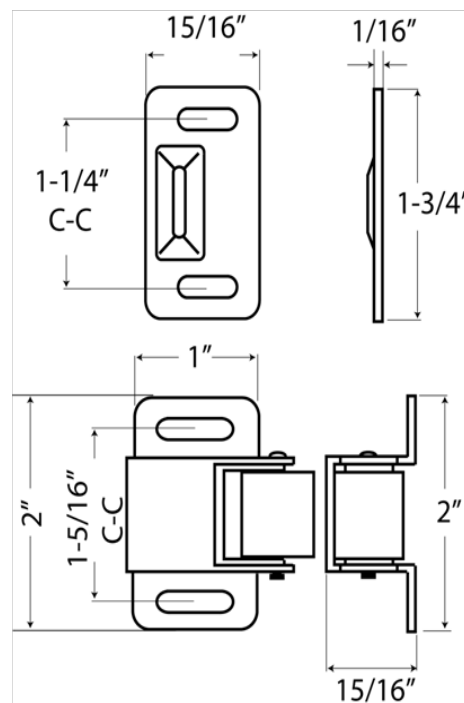
- Steel

### Finishes

- US3 - Bright Brass
- US10B - Antique Bronze
- Zinc

### Code Compliance

- Conforms to ANS/BHMA A156.9 B83112



### CAL-ROYAL PRODUCTS, INC.

6605 Flotilla St., City of Commerce, CA 90040 U.S.A.  
Phone: (323) 888-6601 • (800) 876-9258 • Fax: (323) 888-6699 • (800) 222-3316  
Email: sales@cal-royal.com • Website: www.cal-royal.com

The illustration and technical description in this cut sheet is current as of the date in the version date on the right. Cal-Royal Product reserves the right to, and may, on occasions, make changes and/or improvements in designs and dimensions without prior notice.

2019 01  
YEAR PRINTED / VERSION NO.

© Cal-Royal Products, Inc. 2019