

3" CAST RIGID DOOR STOP WITH MOLDED SCREW RS92

Features

- Easy installation
- $\frac{5}{8}$ " mounting screw fixed at the base

Material

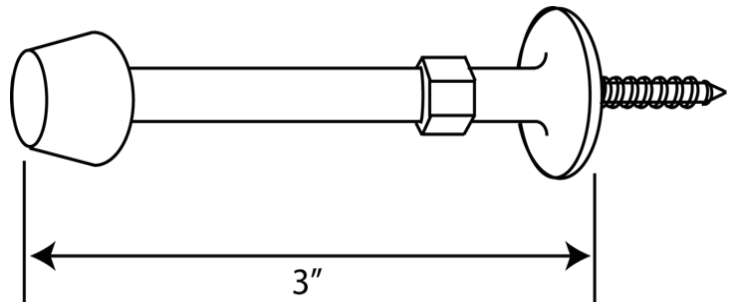
- Die Cast

Projection

- 3"

Finishes

- US3 - Bright Brass
- US5 - Satin Brass, Oxidized
- US10B - Antique Bronze, Oiled
- US15 - Satin Nickel
- US15A - Satin Nickel, Oxidized
- US26 - Bright Chrome
- US26D - Satin Chrome



BHC-7027-03/23-1of1

CAL-ROYAL PRODUCTS, INC.

6605 Flotilla St., City of Commerce, CA 90040 U.S.A.

Phone: (323) 888-6601 • (800) 876-9258 • Fax: (323) 888-6699 • (800) 222-3316

Email: sales@cal-royal.com • Website: www.cal-royal.com

The illustration and technical description in this cut sheet is current as of the date in the version date on the right. Cal-Royal Product reserves the right to, and may, on occasions, make changes and/or improvements in designs and dimensions without prior notice.

VERSION
2023.1.0

© Cal-Royal Products, Inc. 2023