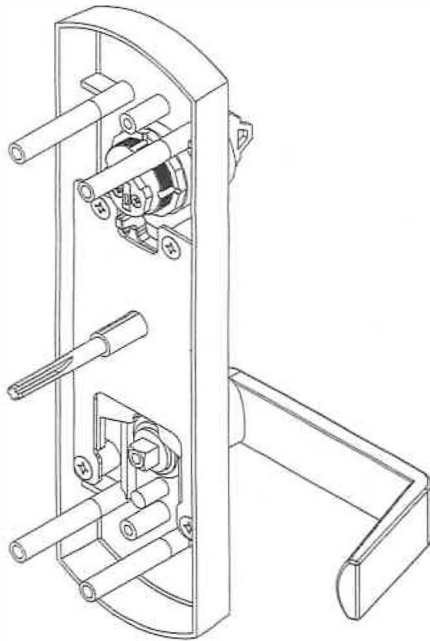




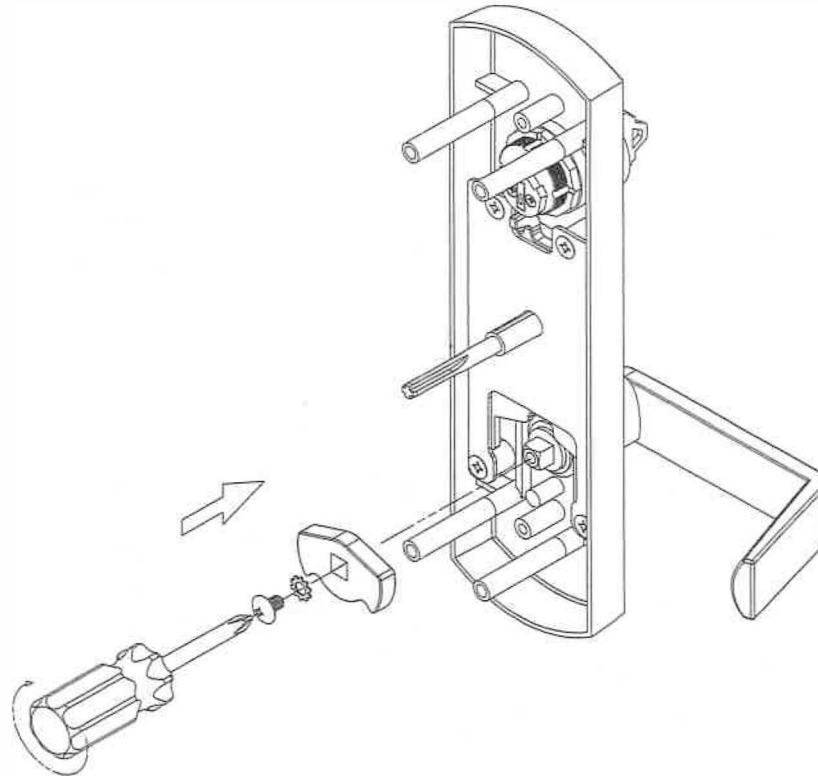
Cal-Royal ESC 7700 Lever Trim For 7700 / 7760V Series

Method of Changing Hand of lever, LHR

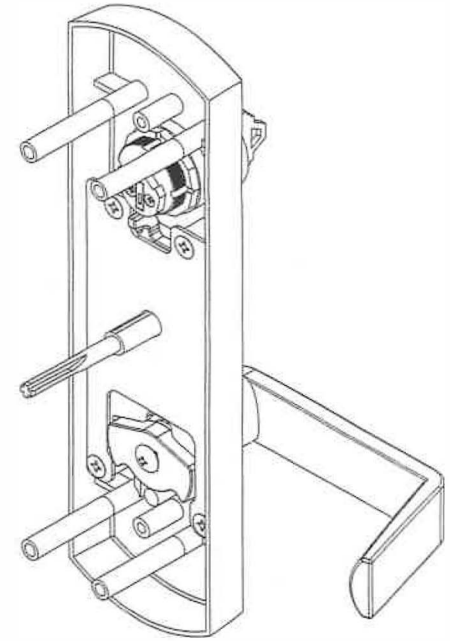
1. Rotate lever to LHR positioned at 90°



2. Place and fasten cam piece with locked type washer and screw



3. Done

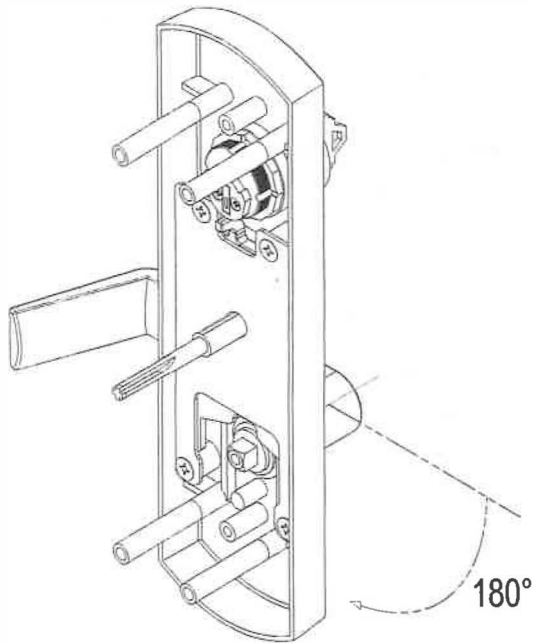




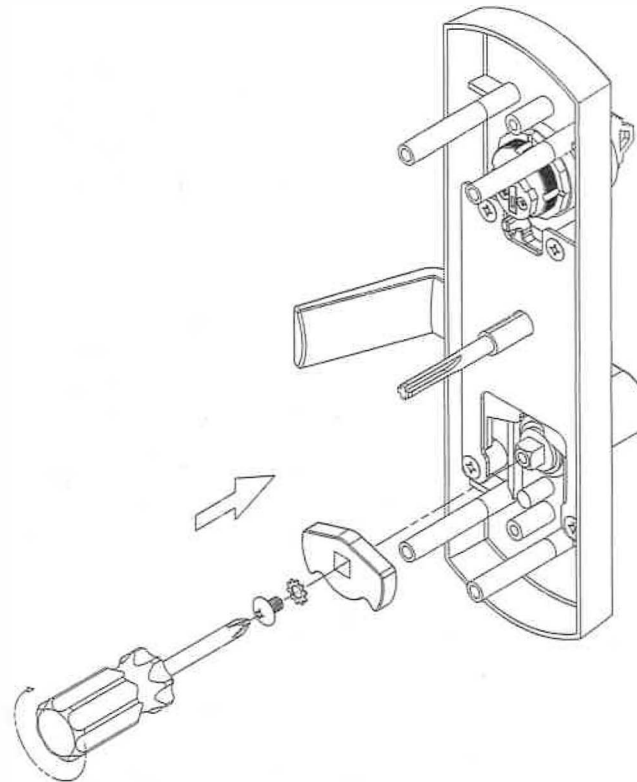
Cal-Royal ESC 7700 Lever Trim For 7700 / 7760V Series

Method of Changing Hand of lever, RHR

1. Rotate lever to RHR positioned at 90°



2. Place and fasten cam piece with locked type washer and screw



3. Done

