

## SDH-PLTD TEAR DROP PRIVACY SLIDING DOOR LOCK

### Features

- Dimensions: 2 1/2" x 3 3/16"
- Includes Strike Plate, Washer, and Mounting Screws
- Lock is mounted on the door jamb to keep doors shut for added privacy.
- Easy installation
- Door Thickness: 1 3/8" - 1 3/4"

### Application

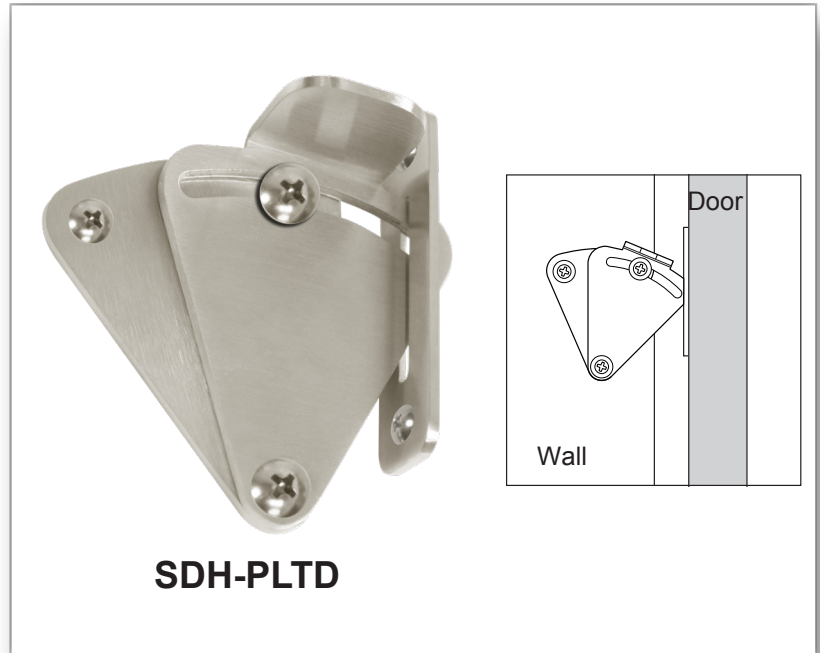
- For Wood Doors

### Material

- Stainless Steel

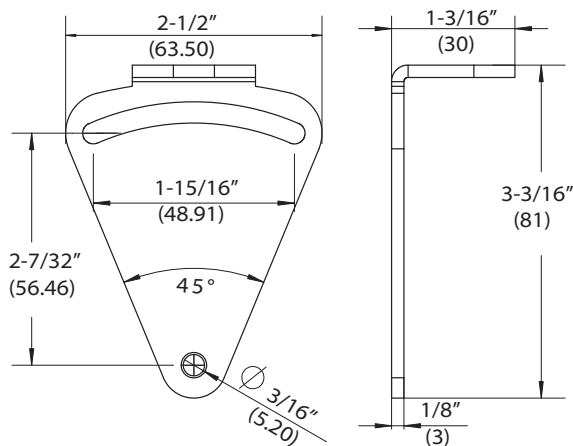
### Finishes

- US19 - Black
- US32D - Stainless Steel

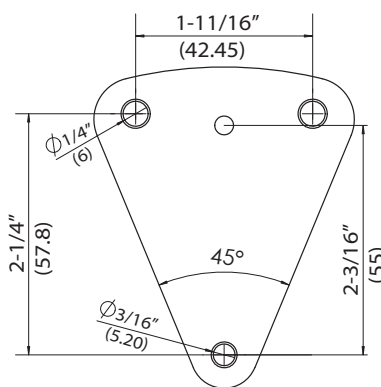


**SDH-PLTD**

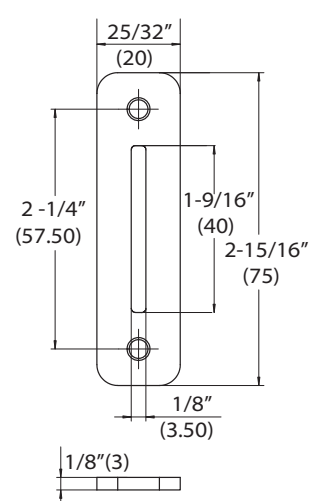
**FRONT PLATE**



**BACK PLATE**



**STRIKE PLATE**



### CAL-ROYAL PRODUCTS, INC.

6605 Flotilla St., City of Commerce, CA 90040 U.S.A.  
 Phone: (323) 888-6601 • (800) 876-9258 • Fax: (323) 888-6699 • (800) 222-3316  
 Email: sales@cal-royal.com • Website: www.cal-royal.com

The illustration and technical description in this cut sheet is current as of the date in the version date on the right. Cal-Royal Product reserves the right to, and may, on occasions, make changes and/or improvements in designs and dimensions without prior notice.

2019/01  
VERSION NO.  
YEAR PRINTED

© Cal-Royal Products, Inc. 2019