

## SDLFP FLIP PRIVACY SLIDING DOOR LOCK

### Features

- Includes Frame Strike Plate Guard, Emergency Release Key, and Mounting Screws
- Easy installation with just a simple cut on the door edge
- Door Thickness: 1 3/8" - 1 3/4"
- Dimensions: 4 5/8" x 1 1/4"

### Application

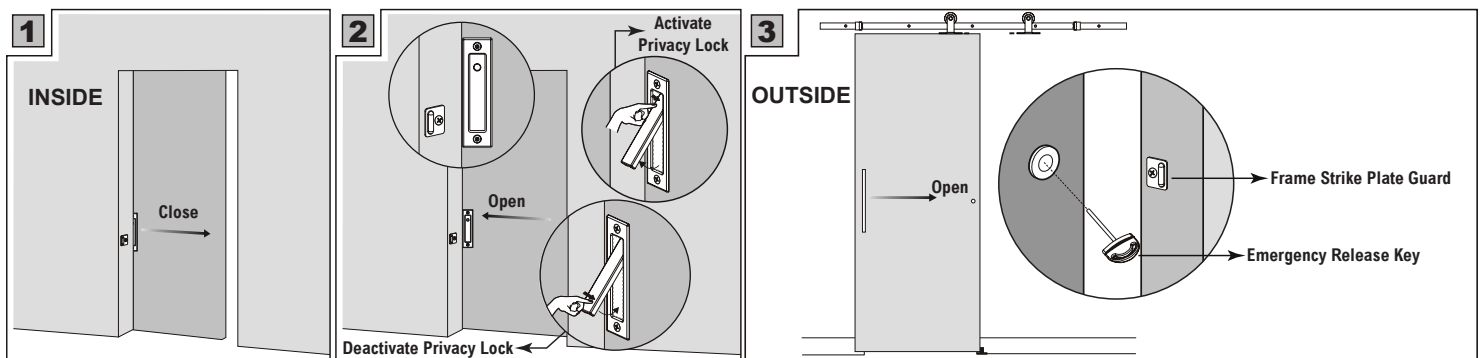
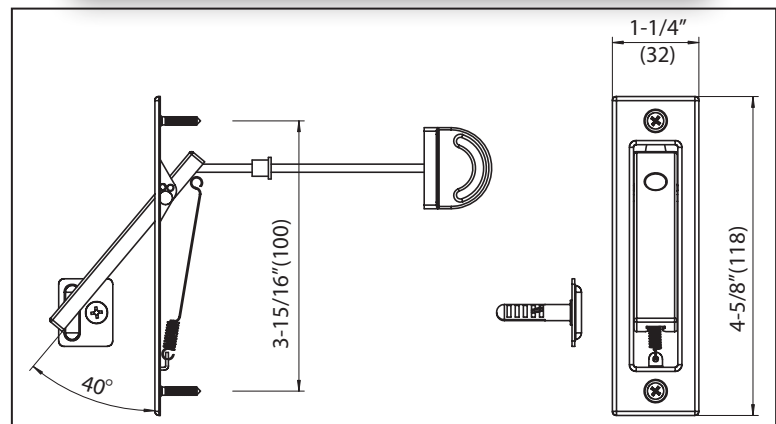
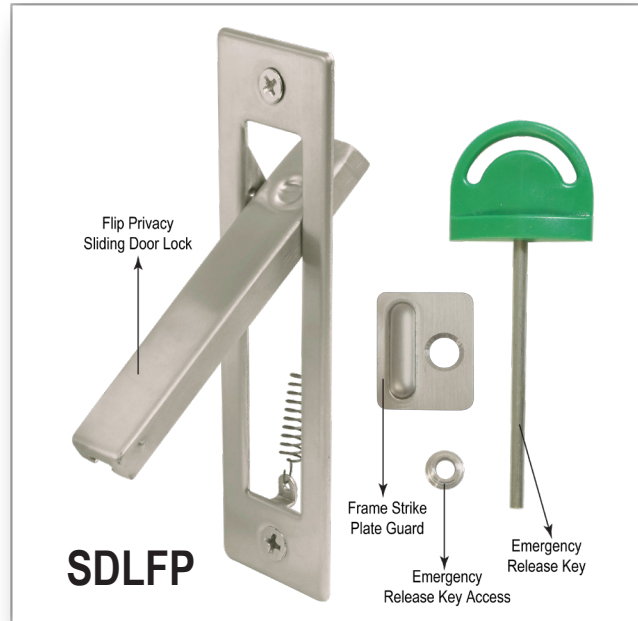
- For Wood Doors

### Material

- Stainless Steel

### Finishes

- Black
- US32D - Stainless Steel



### CAL-ROYAL PRODUCTS, INC.

6605 Flotilla St., City of Commerce, CA 90040 U.S.A.  
 Phone: (323) 888-6601 • (800) 876-9258 • Fax: (323) 888-6699 • (800) 222-3316  
 Email: sales@cal-royal.com • Website: www.cal-royal.com

The illustration and technical description in this cut sheet is current as of the date in the version date on the right. Cal-Royal Product reserves the right to, and may, on occasions, make changes and/or improvements in designs and dimensions without prior notice.

2019/01  
VERSION NO  
YEAR PRINTED

© Cal-Royal Products, Inc. 2019