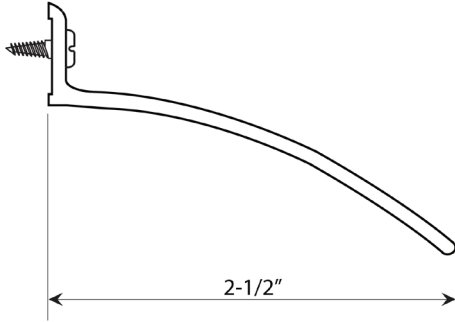


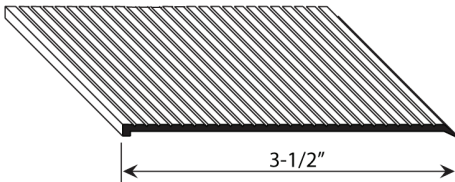
OVERHEAD RAIN DRIP WEATHERSTRIP (CR 4400 SERIES)



- ▶ Packaging includes:
- ▶ Fasteners: #10 x 3/4" wood screws
- Note:** Suggested length should be 4" longer than width of door.
Allow 2" distance on each end for maximum cover.

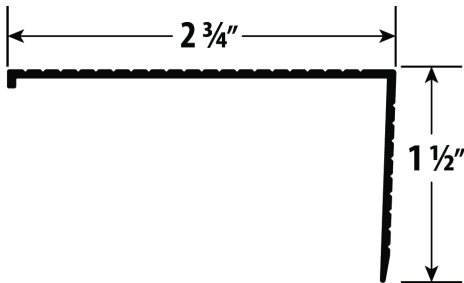
ITEM #	SIZE	FINISH	LENGTH AVAILABLE					PCS / MC	UNIT
CR4462	2 1/2"	ALUM	36"	40"	52"	76"	---	50	EACH
		DURO							

SILL NOSING (CR 4200 SERIES)



- Designed for use in extending the nose of the threshold.
- Serves as cover, protection and aesthetics for step or slab in front of threshold.
- Furnished undrilled and without screws.

ITEM #	SIZE	FINISH	LENGTH AVAILABLE					PCS / MC	UNIT
CR4243	3 1/2"	ALUM	36"	48"	72"	96"	---	50	EACH
		DURO							



- Designed for use in extending the nose of the threshold.
- Serves as cover, protection and aesthetics for step or slab in front of threshold.
- Furnished undrilled and without screws.

ITEM #	SIZE	FINISH	LENGTH AVAILABLE					PCS / MC	UNIT
CR4244	1 1/2" H x 2 3/4" W	ALUM	36"	48"	72"	96"	120"	36", 48" = 50pcs 72", 96", 120" = 20pcs	EACH
		DURO							

Available Finishes: **ALUM, DURO**

Specify: **Item # + Length + Finish** when ordering

Example: **CR446236 ALUM** for CR4462 in 36" Alum finish

Testing/Ratings:



NOTE: Ratings for Models CR4462 & CR4243