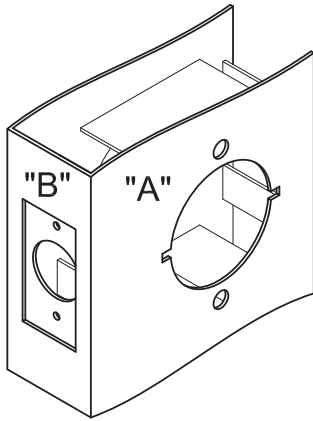
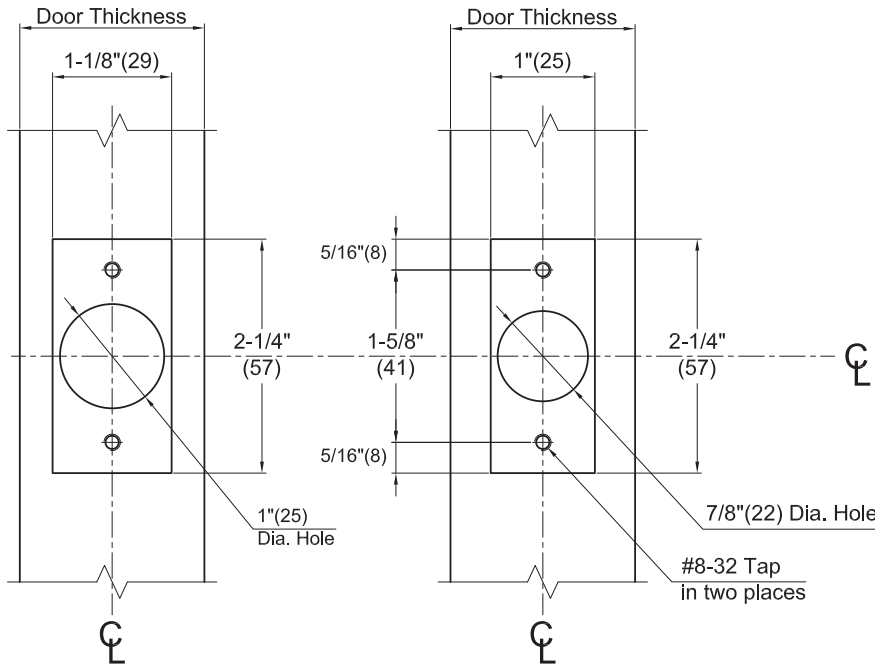
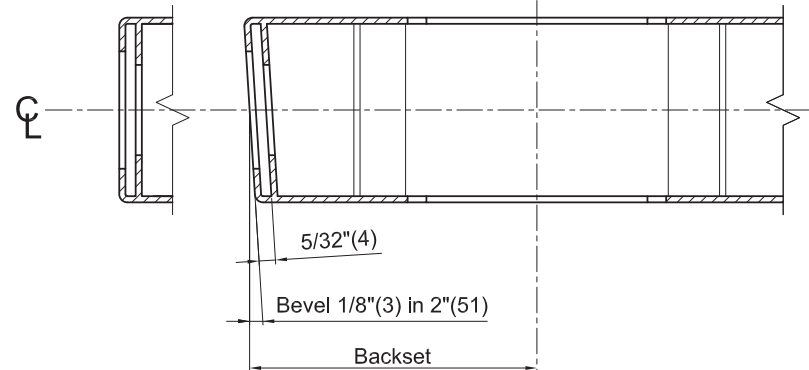


\* For metal door installations, suitable reinforcement is required to support to support latch in center of door and prevent lateral movement.

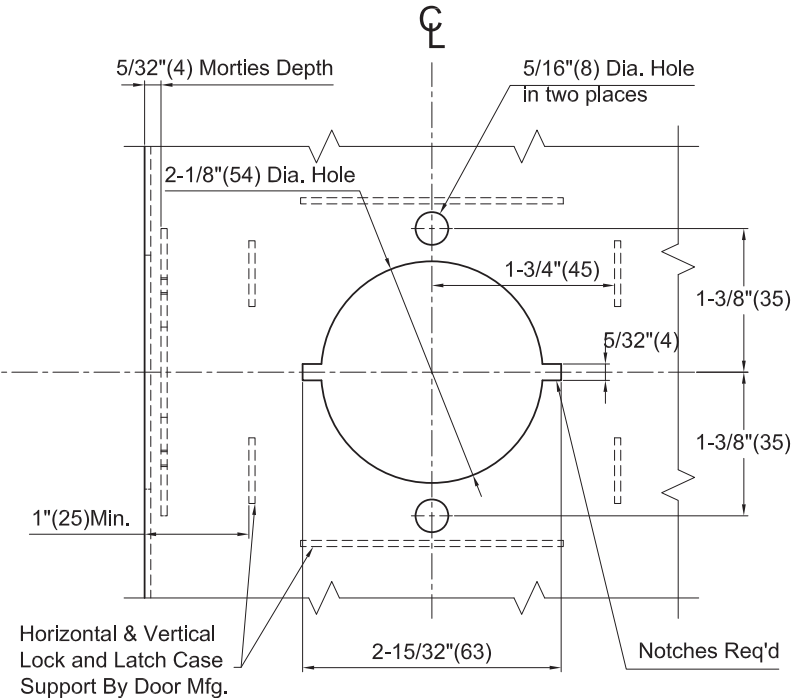
NOT TO SCALE



**Flat or Beveled Edge Detail**



**Door Edge Detail "B"**



**Door Face Detail "A"**

All dimensions are given in inches(mm). Dimensions shown in parentheses ( ) are in millimeters.

<b>Door Type :</b>	Metal, Flat or Beveled
<b>Door Thickness :</b>	1-3/8"(35mm) ~ 2"(50mm)
<b>Faceplate :</b>	1"(25mm) wide or 1-1/8"(29mm) wide, Square Corner
<b>Backsets :</b>	2-3/8"(60mm), 2-3/4"(70mm)

**SL, XP-Series**  
Lever Handle Cylindrical Locks  
Metal Door Preparation

**CAL-ROYAL**  
PRODUCTS, INC.

Website: cal-royal.com • Email: sales@cal-royal.com

Template Number