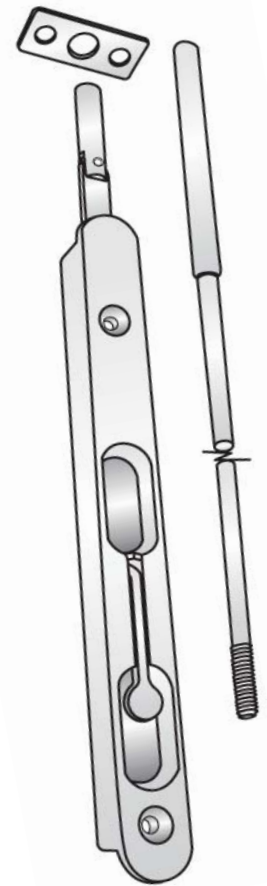
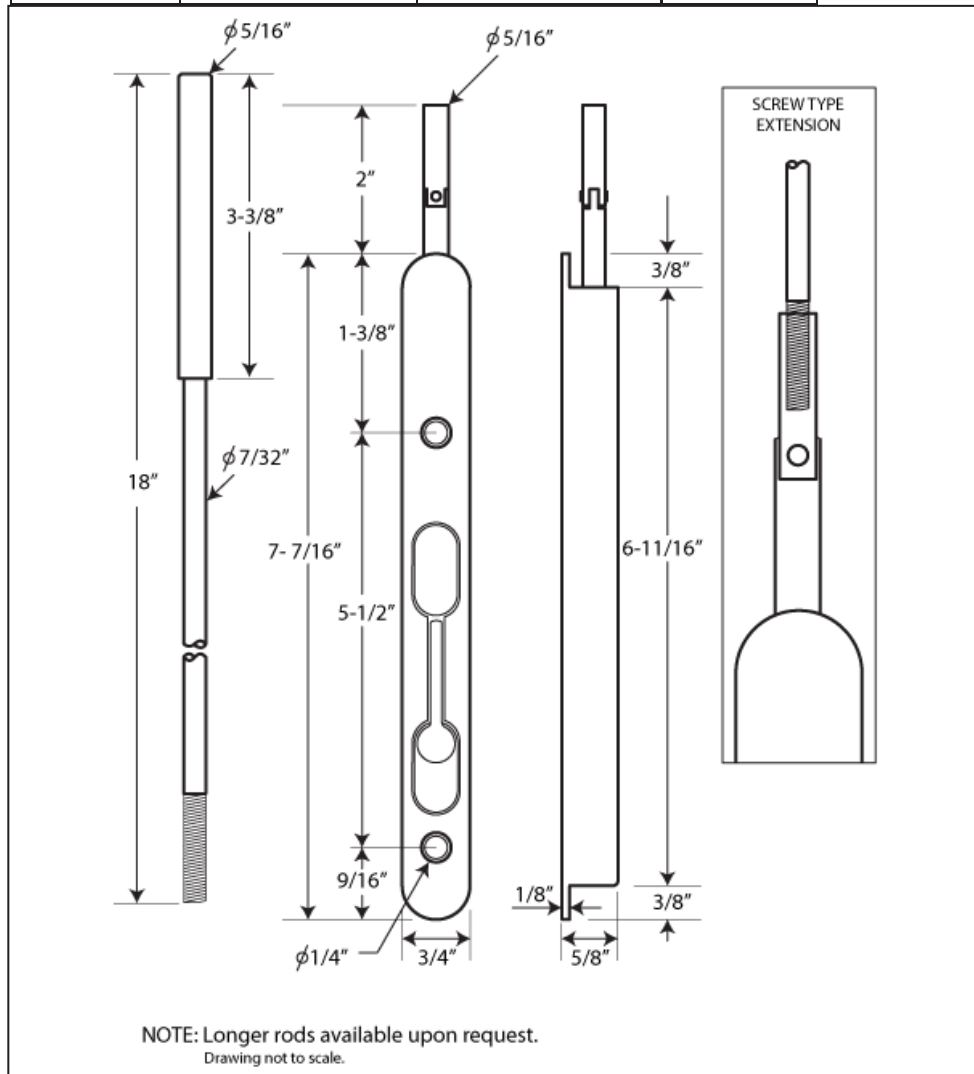


EXTFB-1

Flip Style Mortise Flushbolt with Extension

- ⊙ 18" Rod
- ⊙ Size: 7-7/16"
- ⊙ Rounded at both ends
- ⊙ Designed for superior strength and smooth operation
- ⊙ Individually poly-bagged
- ⊙ Packed with strike and 2 sets of screws
- ⊙ Architectural finishes available

ITEM NO.	BOLT HEAD DIA.	ROD LENGTH	THROW
EXTFB-1	5/16"	18"	3/4"



Cal-Royal Products, Inc.

6605 Flotilla St., City of Commerce, CA 90040 U.S.A.

Phone: (323) 888-6601 • (800) 876-9258 • Fax: (323) 888-6699 • (800) 222-3316

Email: sales@cal-royal.com • Website: www.cal-royal.com



The illustration and technical description in this Specification Sheet is current as of the date in the version box above. Cal-Royal Product reserves the right to, and may frequently make changes and/or improvements in designs and dimensions.