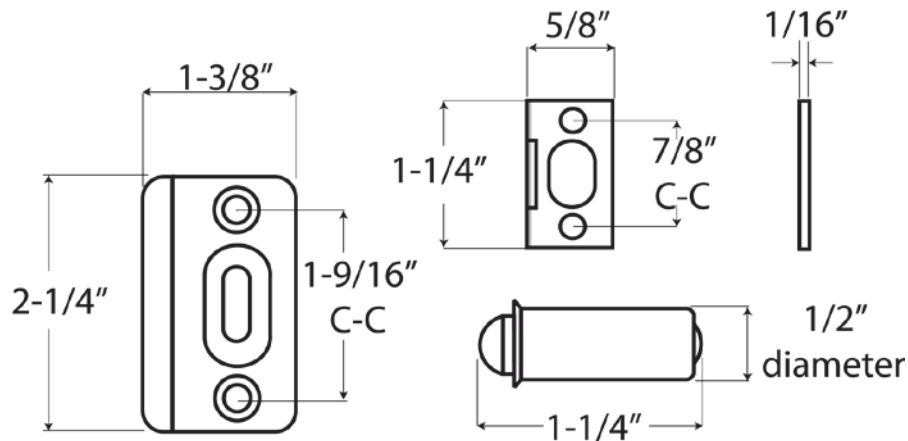
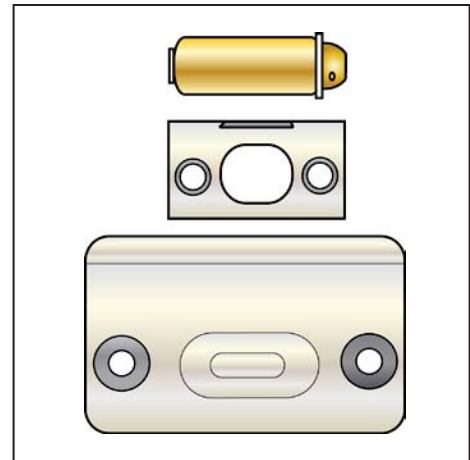


BULLCAT11

Bullet Catch

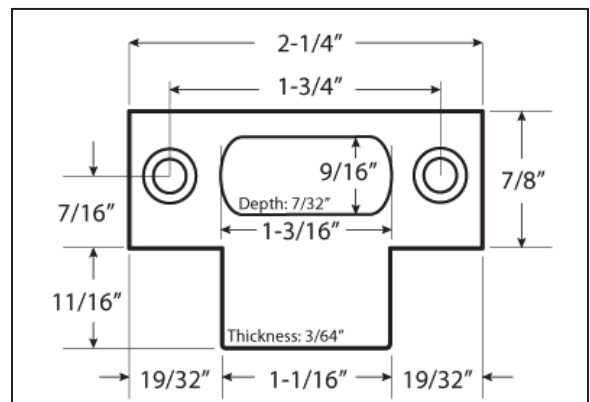
- ⊙ Ideal for cabinets and small door installations
- ⊙ Made from wrought brass
- ⊙ Installs easily just by drilling a 1/2" diameter x 1-1/8" deep hole in door
- ⊙ Packed with a 5/8" x 1-1/4" square corner strike with 2- #6 x 1/2" screws and a 1-3/8" x 2-1/4" round corner strike with 2- #8 x 3/4" screws
- ⊙ Optional 7/8" x 2-1/4" T strike (TCAT108)
- ⊙ Architectural finishes available



ITEM#	DIAMETER	LENGTH	SQUARE STRIKE	ROUND CORNER STRIKE	OPTIONAL T-STRIKE
BULLCAT-11	1/2"	1-1/4"	5/8" x 1-1/4"	1-3/8" x 2-1/4"	7/8" x 2-1/4"

TCAT108

- ⊙ T strike for Bullet catch
- ⊙ Individually poly-bagged
- ⊙ Packed with screws
- ⊙ Architectural finishes available



Cal-Royal Products, Inc.

6605 Flotilla St., City of Commerce, CA 90040 U.S.A.

Phone: (323) 888-6601 • (800) 876-9258 • Fax: (323) 888-6699 • (800) 222-3316

Email: sales@cal-royal.com • Website: www.cal-royal.com



The illustration and technical description in this Specification Sheet is current as of the date in the version box above. Cal-Royal Product reserves the right to, and may frequently make changes and/or improvements in designs and dimensions.