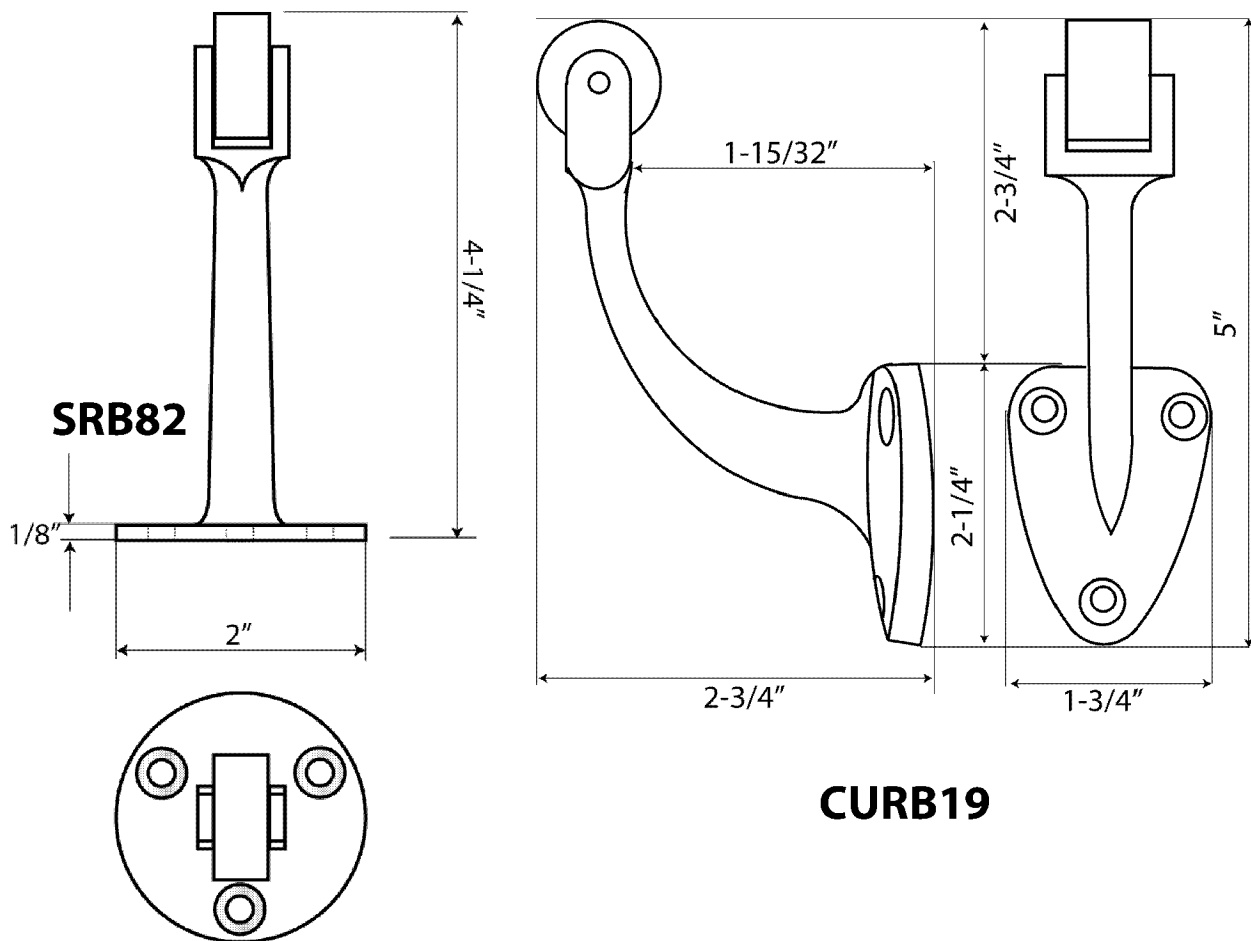
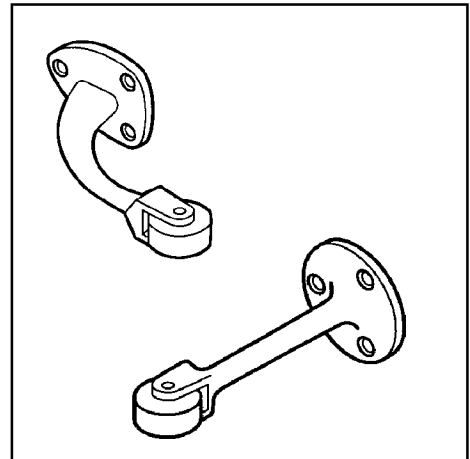


CURB19 and SRB82

Roller Bumpers

- ⊙ Constructed in heavy-duty cast brass
- ⊙ CURB19 is used where two doors open against each other to prevent damage to the door or hardware
- ⊙ CURB19 and SRB82 are designed for use in locations where doors converge at approximately right angles (back to back) to each other
- ⊙ CURB19 conforms to ANSI/BHMA 156.16, L12212
- ⊙ SRB82 conforms to ANSI/BHMA 156.16, L12192
- ⊙ Architectural finishes available



Cal-Royal Products, Inc.

6605 Flotilla St., City of Commerce, CA 90040 U.S.A.

Phone: (323) 888-6601 • (800) 876-9258 • Fax: (323) 888-6699 • (800) 222-3316

Email: sales@cal-royal.com • Website: www.cal-royal.com



The illustration and technical description in this Specification Sheet is current as of the date in the version box above. Cal-Royal Product reserves the right to, and may frequently make changes and/or improvements in designs and dimensions.