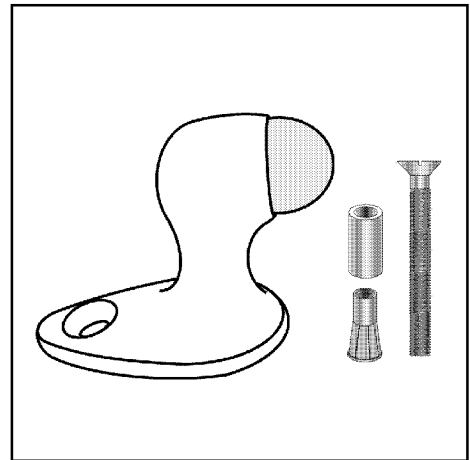
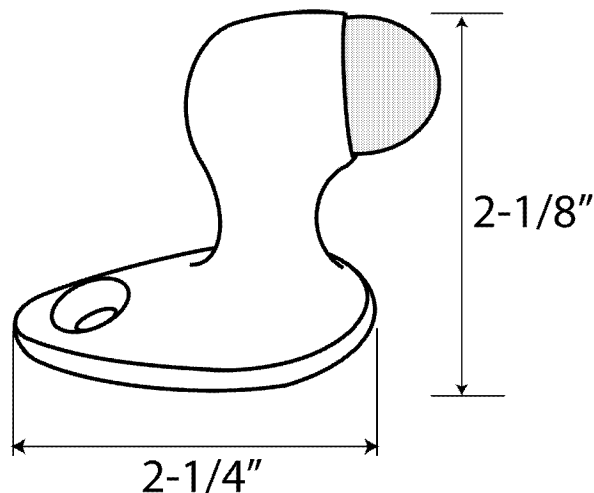


## Goose Neck Floor Stops

- ⊙ Heavy Duty Cast Brass floor stop
- ⊙ Special design allows for adaptability in all types of construction
- ⊙ Smooth and aerodynamic design provides minimum obstruction to cleaning efforts
- ⊙ Can accommodate door undercut up to 1-1/2"
- ⊙ Rubber tip does not scar nor mark surface of door
- ⊙ Metal screw packed with expansion shield and screw anchor
- ⊙ Wood screw: 5/16" x 2-1/2"
- ⊙ Stud with expansion shield and (1) 1/4 - 20 x 1" machine screw and anchor
- ⊙ Conforms to ANSI/BHMA 156.16, L12131 for brass
- ⊙ Architectural finishes available



ITEM#	OVERALL HEIGHT	OVERALL LENGTH	BASE DEPTH
GS118	2-1/8"	2-1/4"	1-3/8"



### Cal-Royal Products, Inc.

6605 Flotilla St., City of Commerce, CA 90040 U.S.A.

Phone: (323) 888-6601 • (800) 876-9258 • Fax: (323) 888-6699 • (800) 222-3316

Email: sales@cal-royal.com • Website: www.cal-royal.com



The illustration and technical description in this Specification Sheet is current as of the date in the version box above. Cal-Royal Product reserves the right to, and may frequently make changes and/or improvements in designs and dimensions.