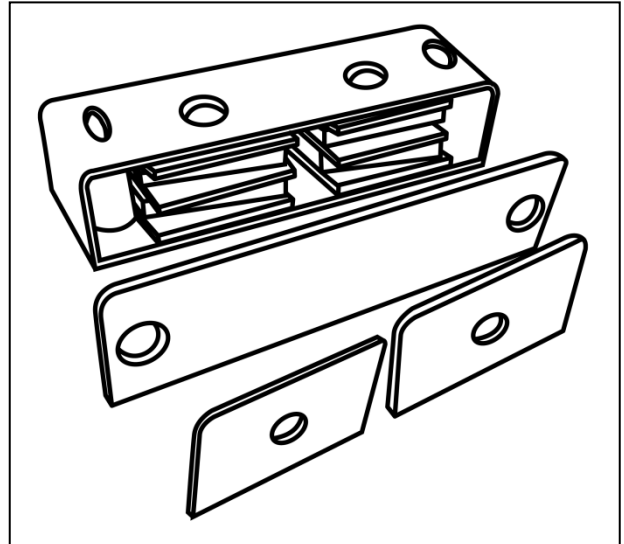


# HDMC3270

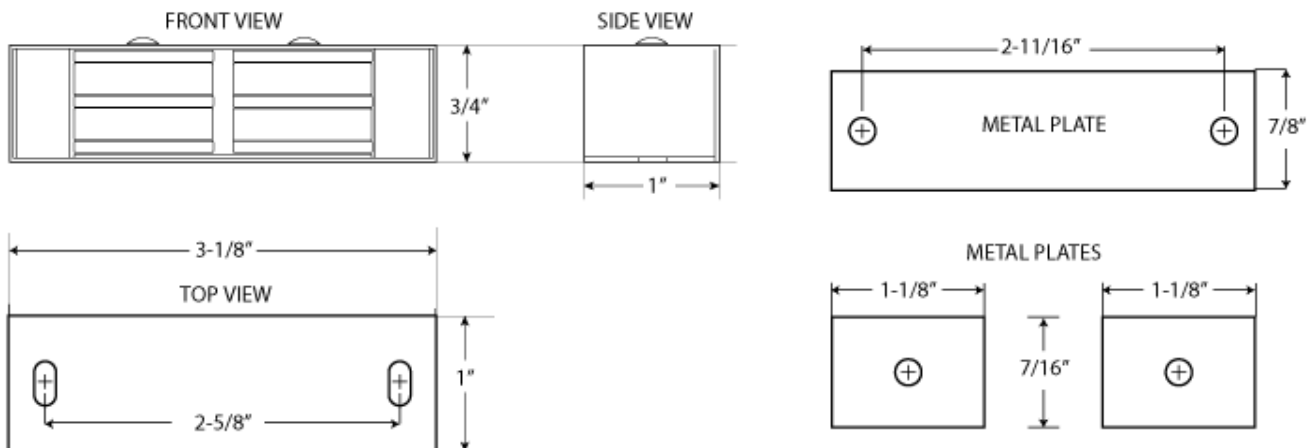


## Heavy Duty Magnetic Catch

- ⦿ Dual triple pole
- ⦿ Self-aligning magnets for maximum pull
- ⦿ Surface or mortise mounted
- ⦿ Steel case
- ⦿ Individually packed with sheet metal screws, 3(three) strikes
- ⦿ Conforms to ANSI/BHMA A156.9 B43161
- ⦿ 14 pounds Load Capacity
- ⦿ Finish: US2G Zinc Plated



**DIMENSION:** 3 1/8" Length X 1" Depth X 7/8" Thickness



### Cal-Royal Products, Inc.

6605 Flotilla St., City of Commerce, CA 90040 U.S.A.

Phone: (323) 888-6601 • (800) 876-9258 • Fax: (323) 888-6699 • (800) 222-3316

Email: [sales@cal-royal.com](mailto:sales@cal-royal.com) • Website: [www.cal-royal.com](http://www.cal-royal.com)

The illustration and technical description in this Specification Sheet is current as of the date in the version box above. Cal-Royal Product reserves the right to, and may frequently make changes and/or improvements in designs and dimensions.