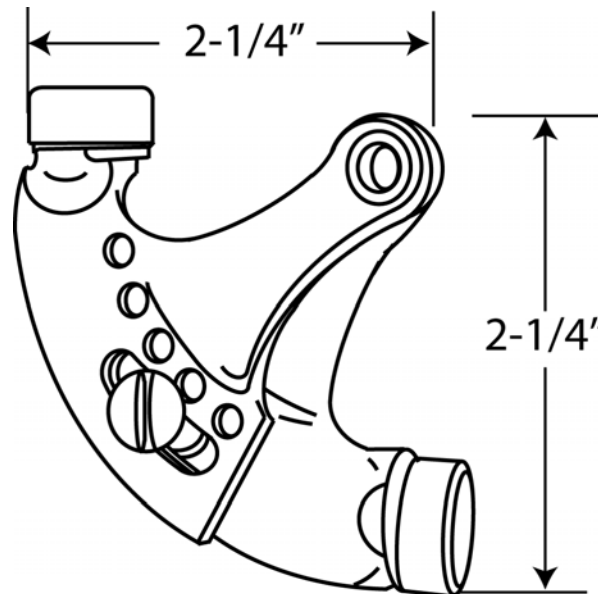
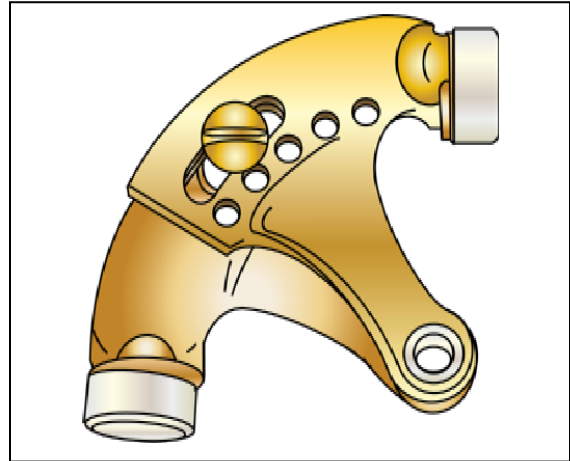


Jumbo Heavy Duty Hinge Pin Door Stop with Removable Bushing

- ⊙ Adjustable Angle Setting
- ⊙ For commercial and residential grade hinges
- ⊙ 1/4" or 5/16" diameter hinge pins (4 -1/2" x 4 -1/2", 4" x 4" and 3 -1/2" x 3 -1/2" hinge sizes)
- ⊙ Easy installation
 1. Plastic bushing can be removed for use in commercial grade hinges
 2. Use plastic bushing for use with residential hinges
- ⊙ Individually poly-bagged
- ⊙ Comparable to IVES #69, 69F
- ⊙ Architectural finishes available



Cal-Royal Products, Inc.

6605 Flotilla St., City of Commerce, CA 90040 U.S.A.

Phone: (323) 888-6601 • (800) 876-9258 • Fax: (323) 888-6699 • (800) 222-3316

Email: sales@cal-royal.com • Website: www.cal-royal.com



The illustration and technical description in this Specification Sheet is current as of the date in the version box above. Cal-Royal Product reserves the right to, and may frequently make changes and/or improvements in designs and dimensions.