

## SBBC58 BALL CATCH

### Features

- Jamb-mounted lip strike design
- Double adjustment for door clearance and holding tension
- Independent rolling ball allows smooth, positive and worry-free action
- Adjustable threaded barrel for accommodating various door clearances
- Rounded corners permit easy installation with router

### Applications

- Generally used on closet doors where latch is not used or needed

### Face Plate and Strike Thickness

- 0.039" (1mm)"

### Screws

- #8 x 3/4"

### Material

- Wrought Brass

### Finishes

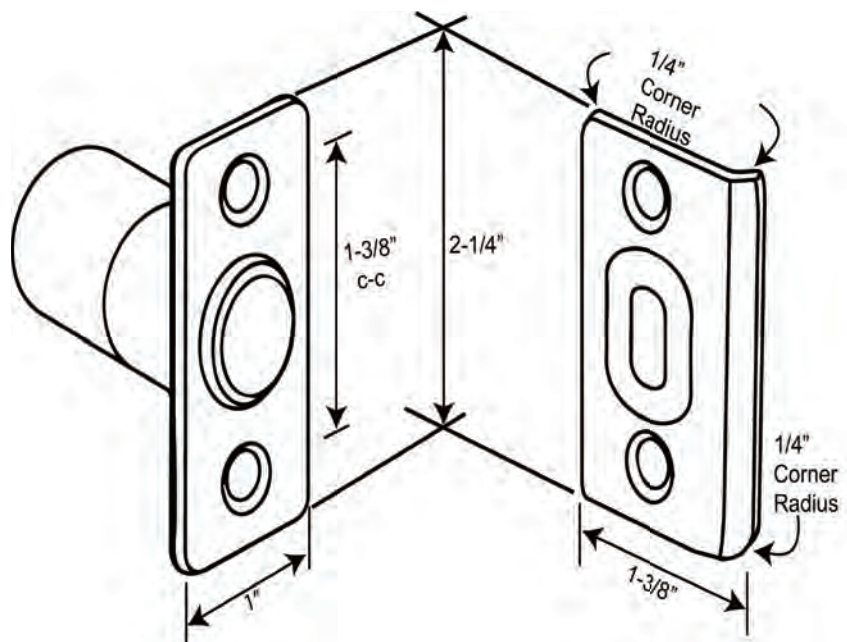
- US3 - Bright Brass
- US5 - Satin Brass, Oxidized
- US10B - Antique Bronze, Oiled
- US15 - Satin Nickel
- US15A - Satin Nickel, Oxidized
- US26 - Bright Chrome
- US26D - Satin Chrome

### Code Compliance

- Conforms to ANSI/BHMA A156.9 B23013



SBBC58



### CAL-ROYAL PRODUCTS, INC.

6605 Flotilla St., City of Commerce, CA 90040 U.S.A.  
Phone: (323) 888-6601 • (800) 876-9258 • Fax: (323) 888-6699 • (800) 222-3316  
Email: sales@cal-royal.com • Website: www.cal-royal.com

The illustration and technical description in this cut sheet is current as of the date in the version date on the right. Cal-Royal Product reserves the right to, and may, on occasions, make changes and/or improvements in designs and dimensions without prior notice.

2019 01  
YEAR PRINTED

© Cal-Royal Products, Inc. 2019