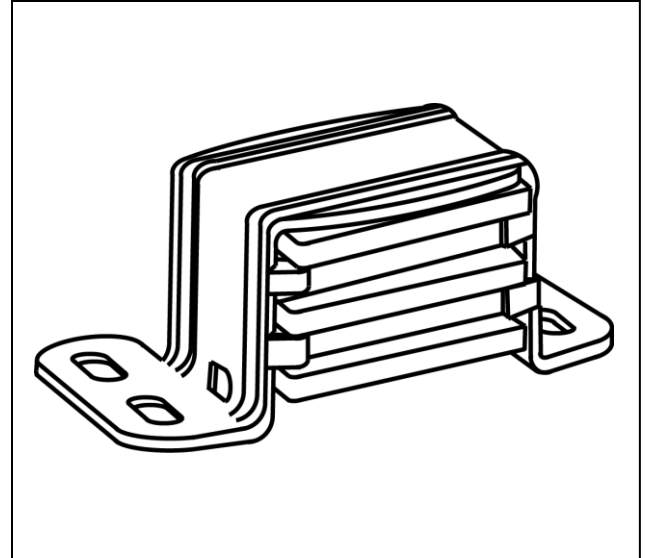


TPMC3230

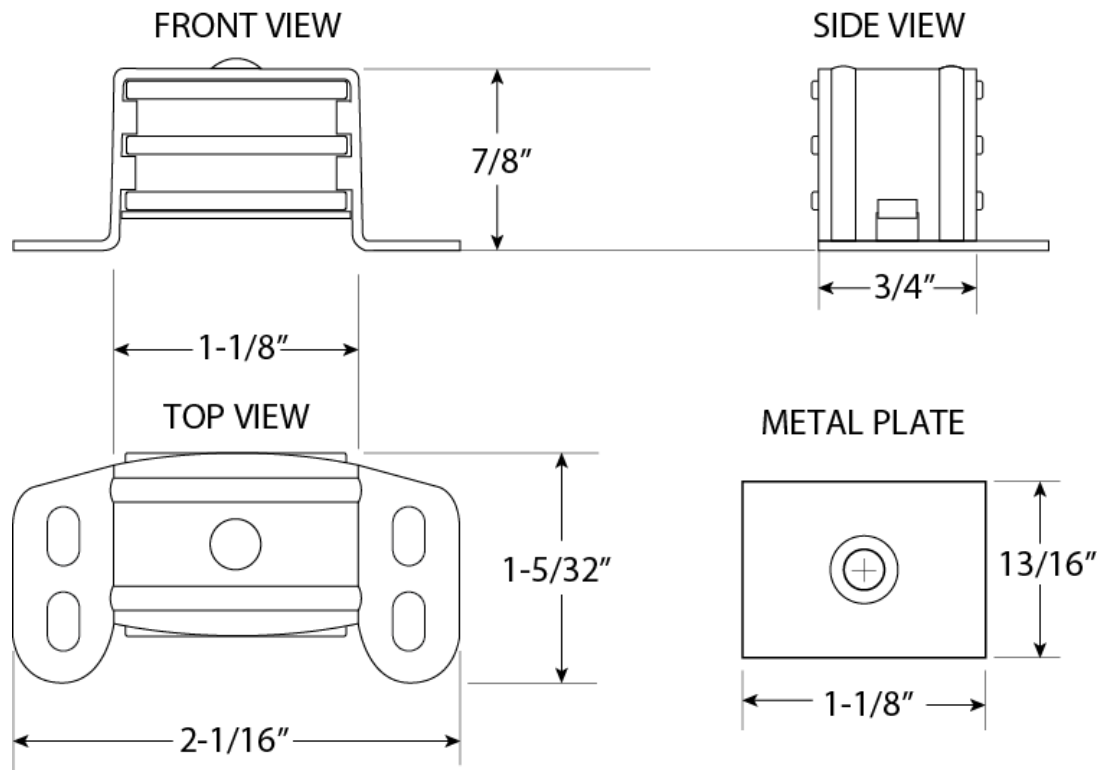


Triple Pole Magnetic Catch

- ⊙ Triple pole
- ⊙ Adjustable
- ⊙ Self-aligning magnets for maximum pull
- ⊙ Steel case
- ⊙ Individually packed with sheet metal screws, 1(one) strike
- ⊙ Conforms to ANSI/BHMA A156.9
- ⊙ 6 pounds Load Capacity
- ⊙ Finish: US2G Zinc Plated



DIMENSION: 2 1/16" Length X 1 5/32" Depth x 7/8" Thickness



Cal-Royal Products, Inc.

6605 Flotilla St., City of Commerce, CA 90040 U.S.A.

Phone: (323) 888-6601 • (800) 876-9258 • Fax: (323) 888-6699 • (800) 222-3316

Email: sales@cal-royal.com • Website: www.cal-royal.com

The illustration and technical description in this Specification Sheet is current as of the date in the version box above. Cal-Royal Product reserves the right to, and may frequently make changes and/or improvements in designs and dimensions.