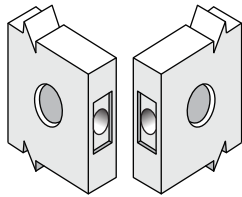
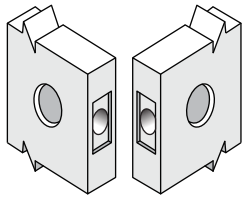


LEFT HANDED DOORS
OUTSIDE INSIDE



RIGHT HANDED DOORS
INSIDE OUTSIDE



DRILL 1"(25mm) HOLE
AT CENTER OF
DOOR EDGE

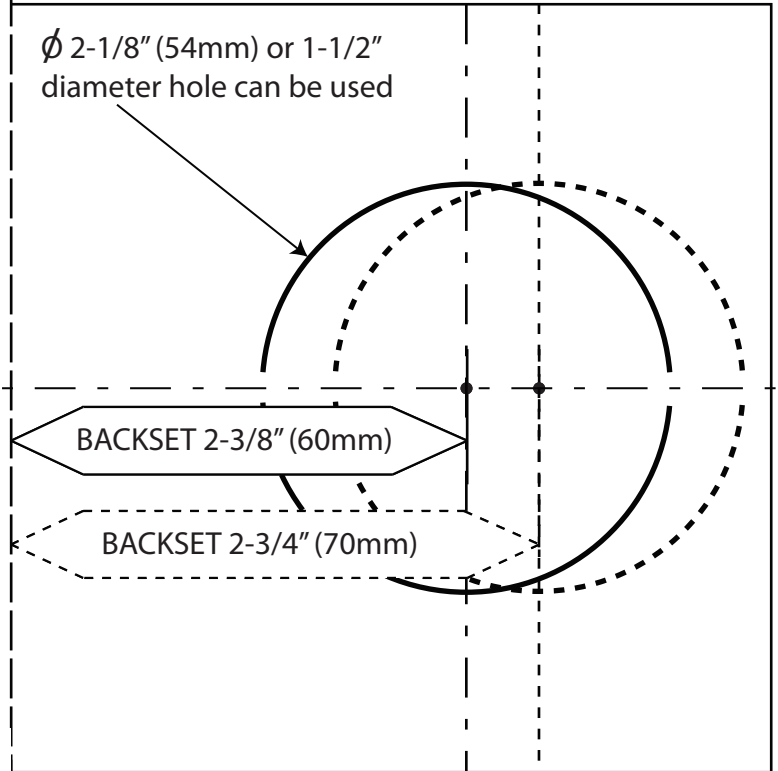
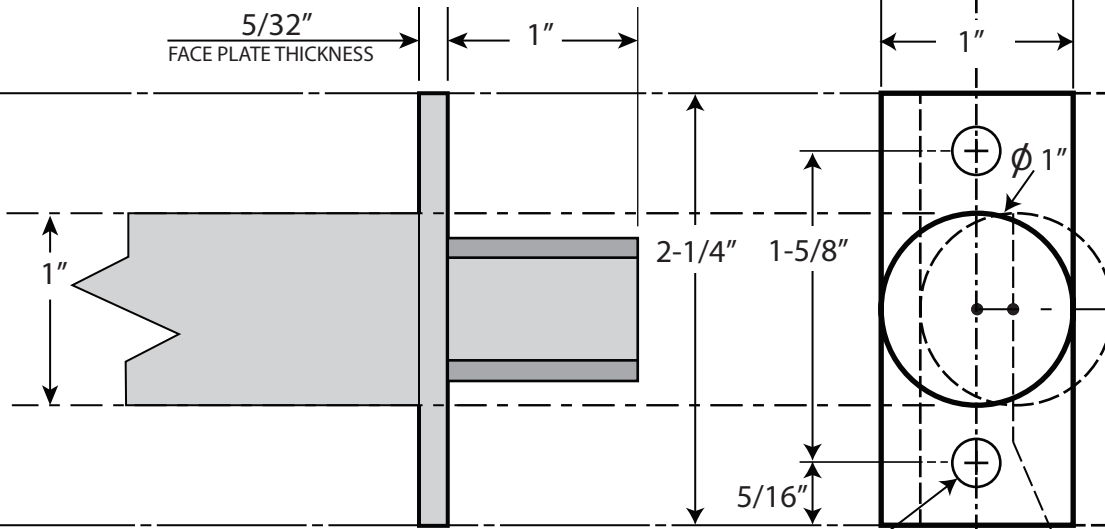
FOLD ON DOOR EDGE
←
FOLD ON DOOR EDGE

5/32"
FACE PLATE THICKNESS

1"

1"

∅ 2-1/8" (54mm) or 1-1/2"
diameter hole can be used



BACKSET 2-3/8" (60mm)

BACKSET 2-3/4" (70mm)

DRILL & TAP
FOR #8-32 COMBO SCREW
2 PLACES FOR METAL DOORS

1-3/4"
(45mm) 1-3/8"
(35mm)

DOOR THICKNESS

Supplied with plastic filler for 1-1/8" latch preparation

1. MARK DOOR

- A. Fold and apply to high edge of door bevel and mark center of door edge as indicated on template at the desired height from the floor.
- B. Mark center hole on door face through guide on template for 2-3/8" (60mm) or 2-3/4" (70mm) backset.

2. DRILL HOLES

- A. Drill thru door face as marked for lockset. It is recommended that holes be drilled from both sides to prevent splitting. Hole size is 2-1/8" (54mm) for standard installations.
 - B. Drill 1" (25mm) hole in center of door edge thru 2-1/8" (54mm) hole for latch.
- CAUTION: Check center of latch hole for alignment with strike center on jamb to ensure free movement of latch bolt.



6605 Flotilla St.
City of Commerce
CA 90040 USA
Tel: (323) 888-6601
FAX: (323) 888-6699
Website: cal-royal.com
Email: sales@cal-royal.com

ITEM NO.

T330

DESCRIPTION

DOUBLE CYLINDER DEADBOLT

ANSI

Grade 3

SCALE

1 : 1

PAGE 1 OF 1

UNIT

inches

(mm)

VERSION

ver. 1.0 rev. 01/12

BY: bteves