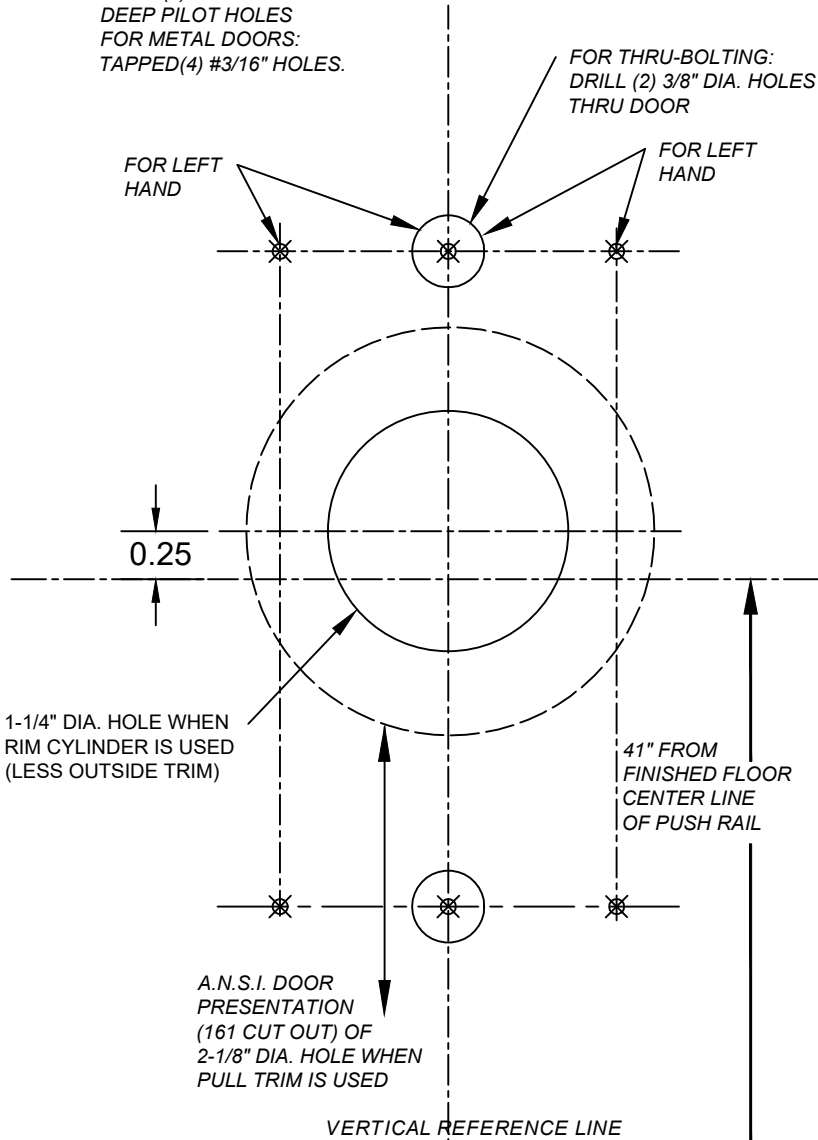


**TEMPLATE
FOR 5000/F5000 SERIES RIM & SVR TYPE EXIT DEVICE
USING LEVER HANDLE TRIM**

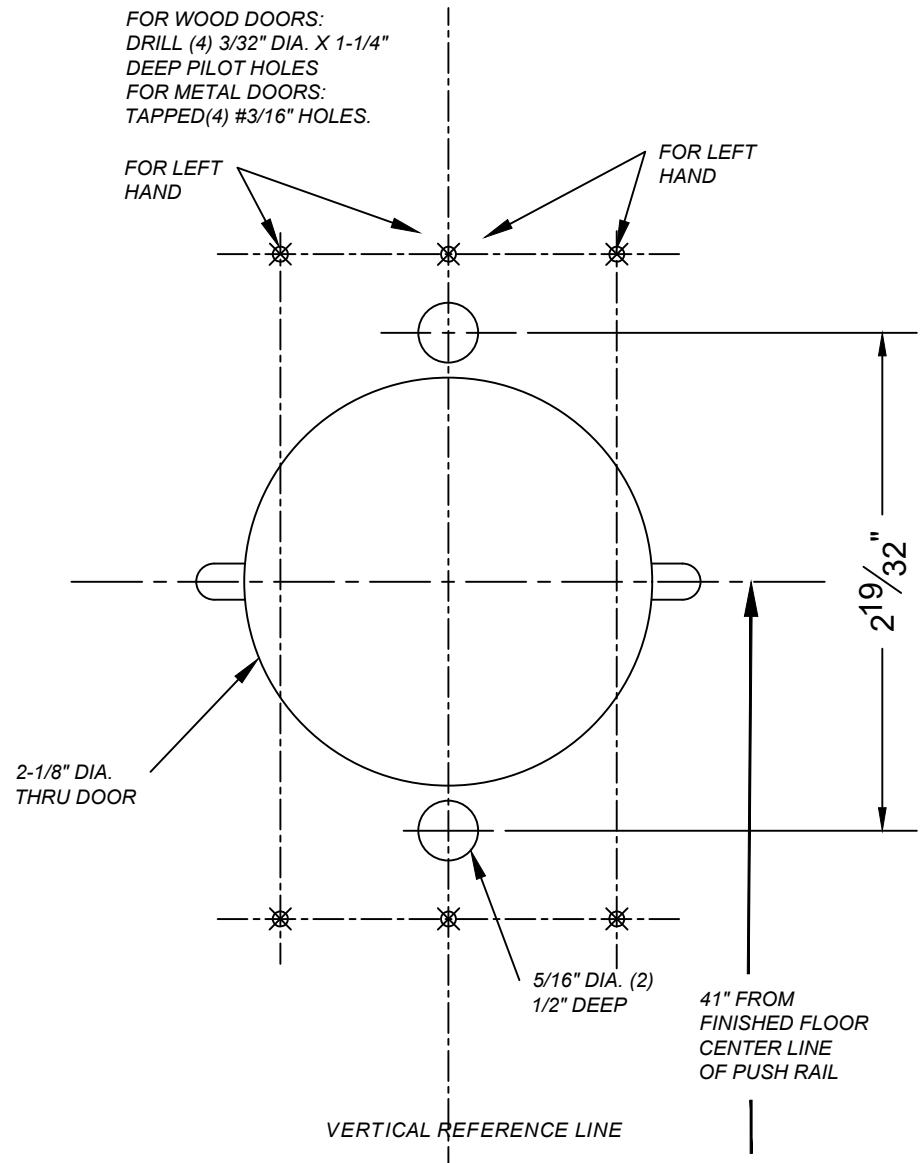
FOR WOOD DOORS:
DRILL (4) 3/32" DIA. X 1-1/4"
DEEP PILOT HOLES
FOR METAL DOORS:
TAPPED(4) #3/16" HOLES.



① FOR REFERENCE LINE REFER TO INSTRUCTION SHEET

**TEMPLATE
FOR 5000/F5000 SERIES RIM & SVR TYPE EXIT DEVICE
USING LEVER HANDLE TRIM**

FOR WOOD DOORS:
DRILL (4) 3/32" DIA. X 1-1/4"
DEEP PILOT HOLES
FOR METAL DOORS:
TAPPED(4) #3/16" HOLES.



① FOR REFERENCE LINE REFER TO INSTRUCTION SHEET

The illustration and technical description in this cut sheet is current as of the date in version date on the right. Cal-Royal Product reserves the right to, and may, on occasions, make changes and/or improvements in designs and dimensions without prior notice.



6605 Flotilla Street
City of Commerce
CA 90040 USA
Tel:# (323) 888-6601
FAX # (323) 888-6699
WEB SITE:
CAL-ROYAL.COM
Email: sales@cal-royal.com

ITEM NO.	DESCRIPTION :
5000/F5000 SERIES	TEMPLATE FOR 5000 & F5000 SERIES RIM & SVR TYPE EXIT DEVICE

NOT TO SCALE
PAGE 1 OF 1

UNIT
PRIMARY DIMENSION SHOWN IN INCHES, DIMENSIONS IN () ARE MM

Prepared By:	DATE
BBT / ADG AED / CVL	11/01/2023

DWG. NO.
EDT-4108-10/23-1of1
Ver.