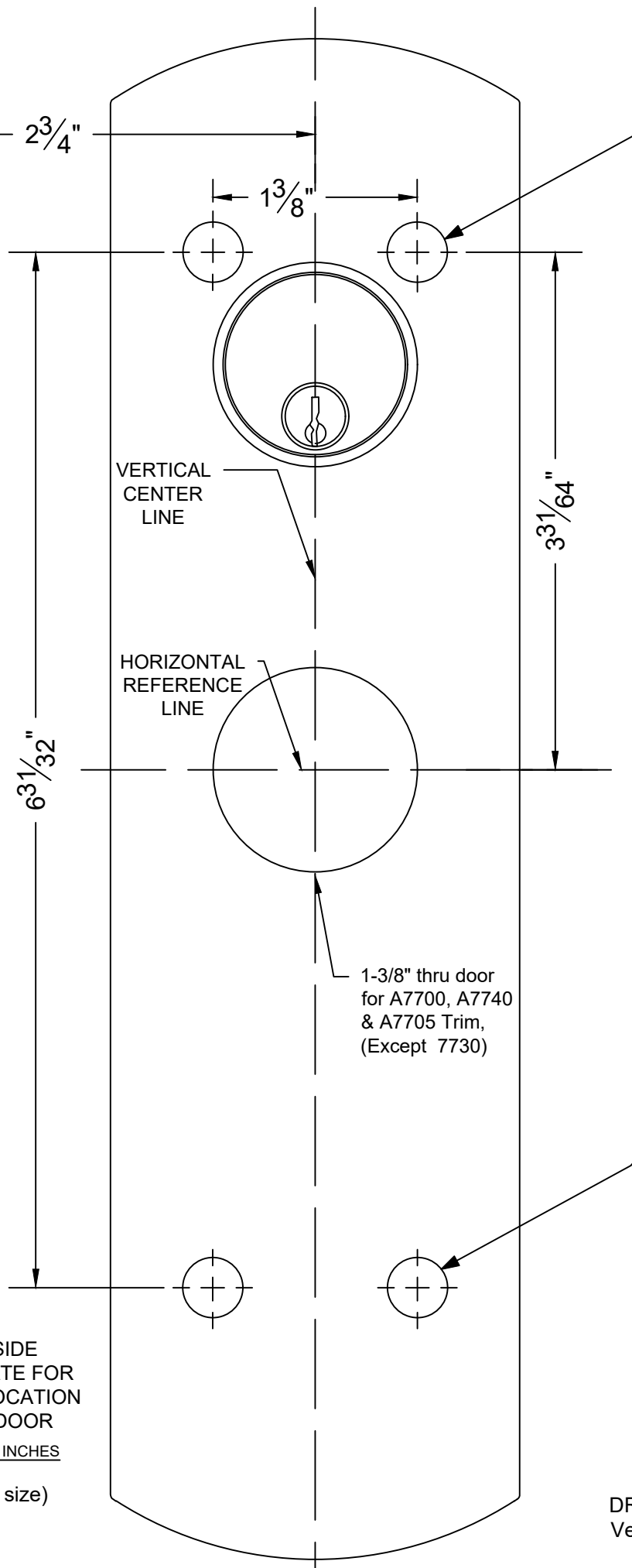


TEMPLATE for

ESC7700 Esc Lever Trim for A7700 / AF7700 Series RIM Exit Device

DOOR EDGE



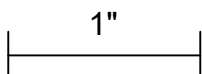
For A7700 / AF7700 Series Rim Exit Device
Ø 13/32" thru door (4) two places.

41" FROM FINISHED FLOOR

REFER TO INSIDE TRIM TEMPLATE FOR MOUNTING LOCATION OUTSIDE OF DOOR

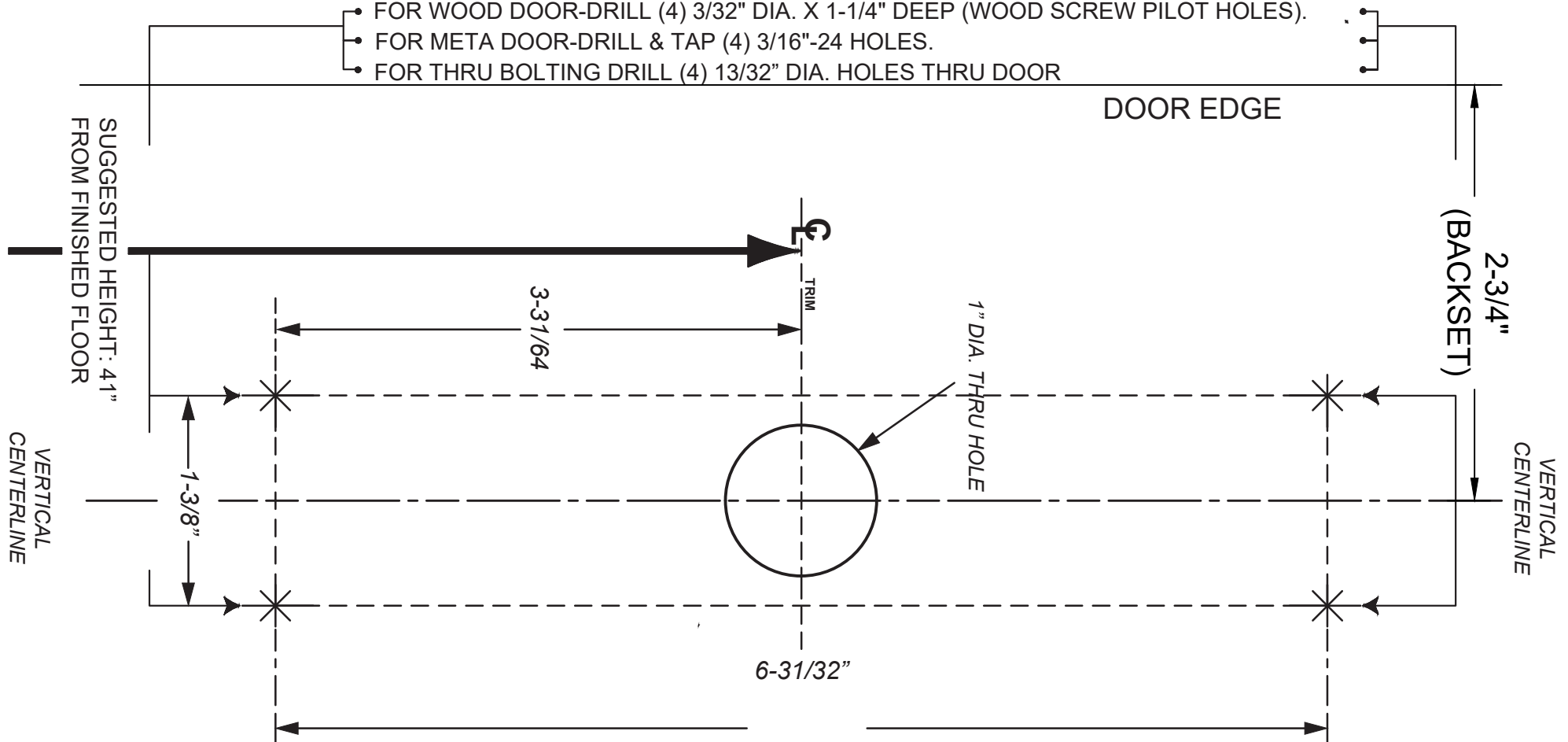
UNIT DIMENSION : INCHES

Scale: 1:1 (if print actual size)



ESC7700 / ESC7705 / ESC7730 / ESC7740 Exit Trim

- FOR WOOD DOOR-DRILL (4) 3/32" DIA. X 1-1/4" DEEP (WOOD SCREW PILOT HOLES).
- FOR META DOOR-DRILL & TAP (4) 3/16"-24 HOLES.
- FOR THRU BOLTING DRILL (4) 13/32" DIA. HOLES THRU DOOR



NOTE:
IF DOOR IS PREPPED FOR 2-1/8" HOLE,
ESCUTHEON PLATE WILL COVER HOLE.

| CONVERSION | | |
|-------------------|------------------|-----------------|
| FRACTION (inches) | DECIMAL (inches) | MILLIMETER (mm) |
| 6-31/32" | 6.484 | 164.69 |
| 1-3/8" | 1.375 | 34.93 |
| 3-31/64" | 3.484 | 88.49 |
| 3/32" | 0.094 | 2.39 |
| 1-1/4" | 1.25 | 31.75 |
| 3/16" | 0.1875 | 4.76 |
| 13/32" | 0.4063 | 10.32 |

The illustration and technical description in this cut sheet is current as of the date in version date on the right. Cal-Royal Product reserves the right to, and may, on occasions, make changes and/or improvements in designs and dimensions without prior notice.



6605 Flotilla Street
City of Commerce
CA 90040 USA
Tel:# (323) 888-6601
FAX:# (323) 888-6699
WEB SITE:
CAL-ROYAL.COM
Email: sales@cal-royal.com

| | |
|----------|----------------------|
| ITEM NO. | DESCRIPTION : |
| ESC7700 | TEMPLATE FOR ESC7700 |

NOT TO SCALE
PAGE 1 OF 1

UNIT
PRIMARY DIMENSION SHOWN IN INCHES, DIMENSIONS IN () ARE MM

Prepared By:
BBT / ADG / CVL

DATE
mm/dd/yr

DRWG. NO.
EDT-4152-09/24-2 of 2
REV: Ver. 1.01