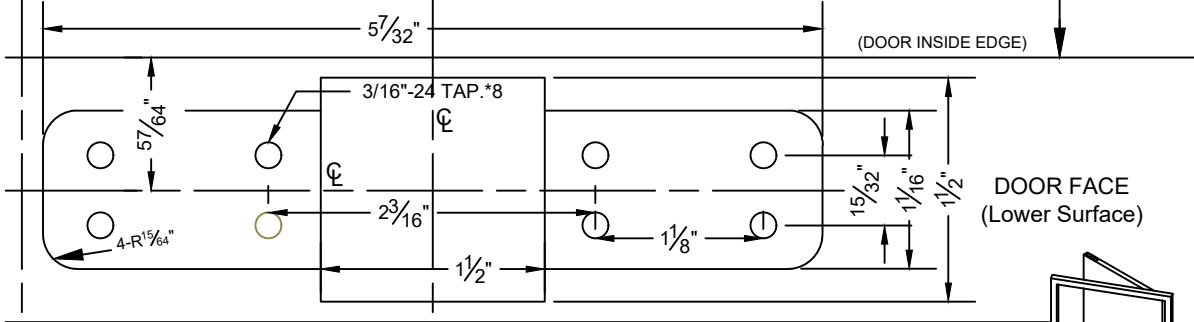
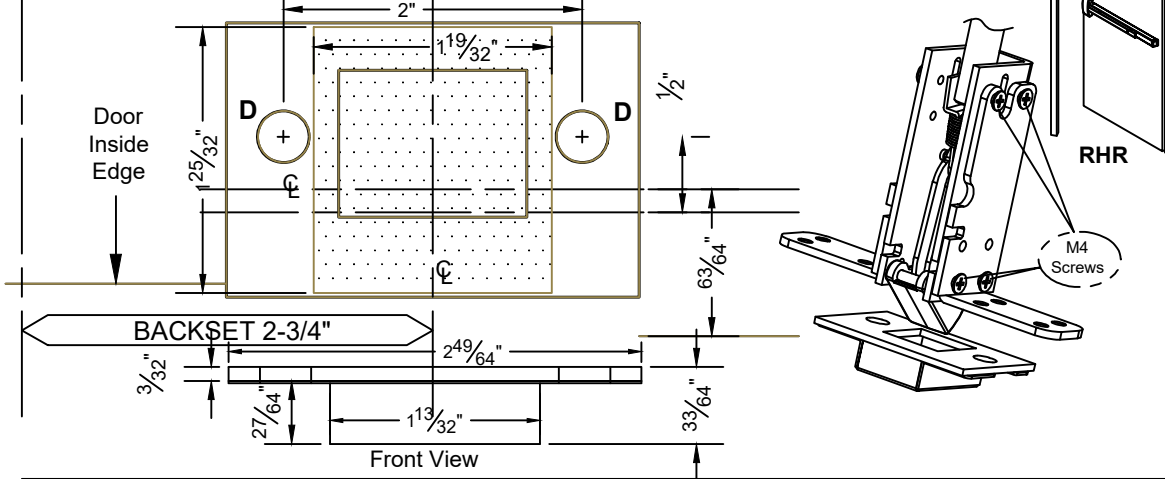


N-77CVR / N-F77CVR SERIES LHR

TEMPLATE of Bottom Latch Housing Ass'y [Bottom Mounting Plate (regular use)]

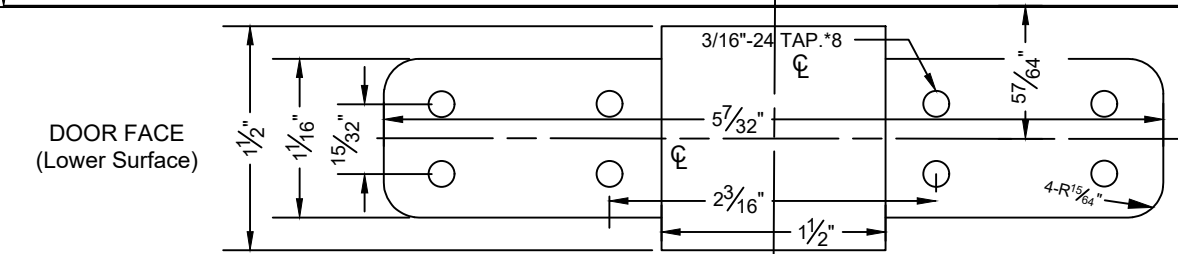


TEMPLATE of Bottom Latch [Bottom Strike (regular use)] (1:1)

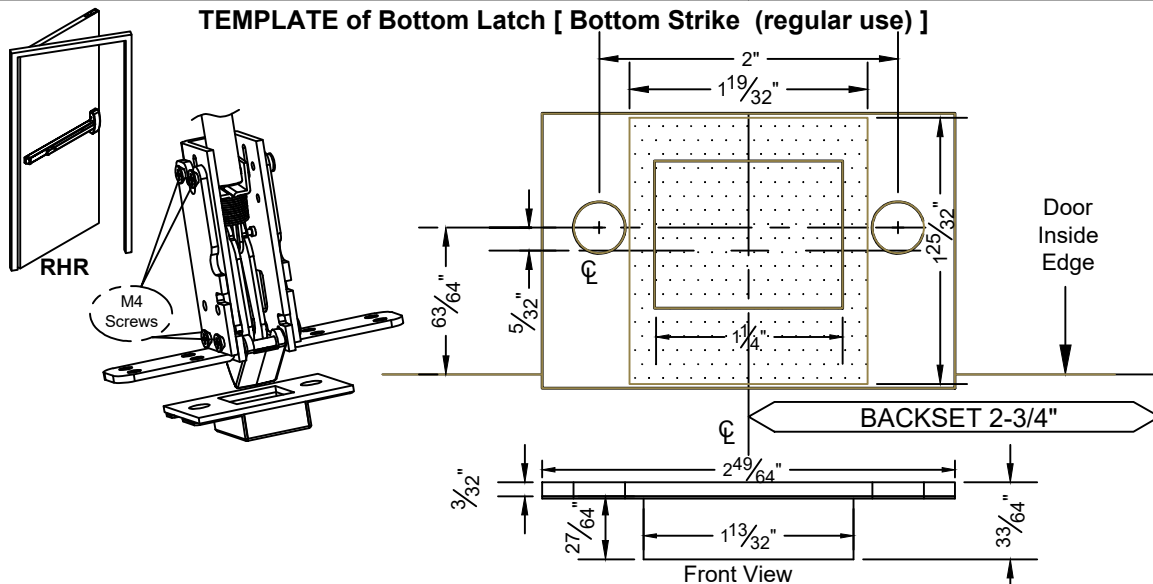


N-77CVR / N-F77CVR SERIES RHR

TEMPLATE of Bottom Latch Housing Ass'y [Bottom Mounting Plate (regular use)]



TEMPLATE of Bottom Latch [Bottom Strike (regular use)]



The illustration and technical description in this cut sheet is current as of the date in version date on the right.

Cal-Royal Product reserves the right to, and may, on occasions, make changes and/or improvements in designs and dimensions without prior notice.



6605 Flotilla Street
City of Commerce
CA 90040 USA
Tel.# (323) 888-6601
FAX # (323) 888-6699
WEB SITE:
CAL-ROYAL.COM
Email: sales@cal-royal.com

ITEM NO.	DESCRIPTION
N-77/F77CVR BOTTOM MORTISE LATCH	TEMPLATE FOR N-77/F77CVR BOTTOM MORTISE LATCH

NOT
TO
SCALE
PAGE 1 of 2

UNIT
PRIMARY DIMENSION
SHOWN IN INCHES,
DIMENSIONS IN ()
ARE MM

Prepared By: BBT/ADG/CVL

DATE: 02/23/2024

DWG. NO.: EDT-4020A-02/24-1of2
Ver. 1.01