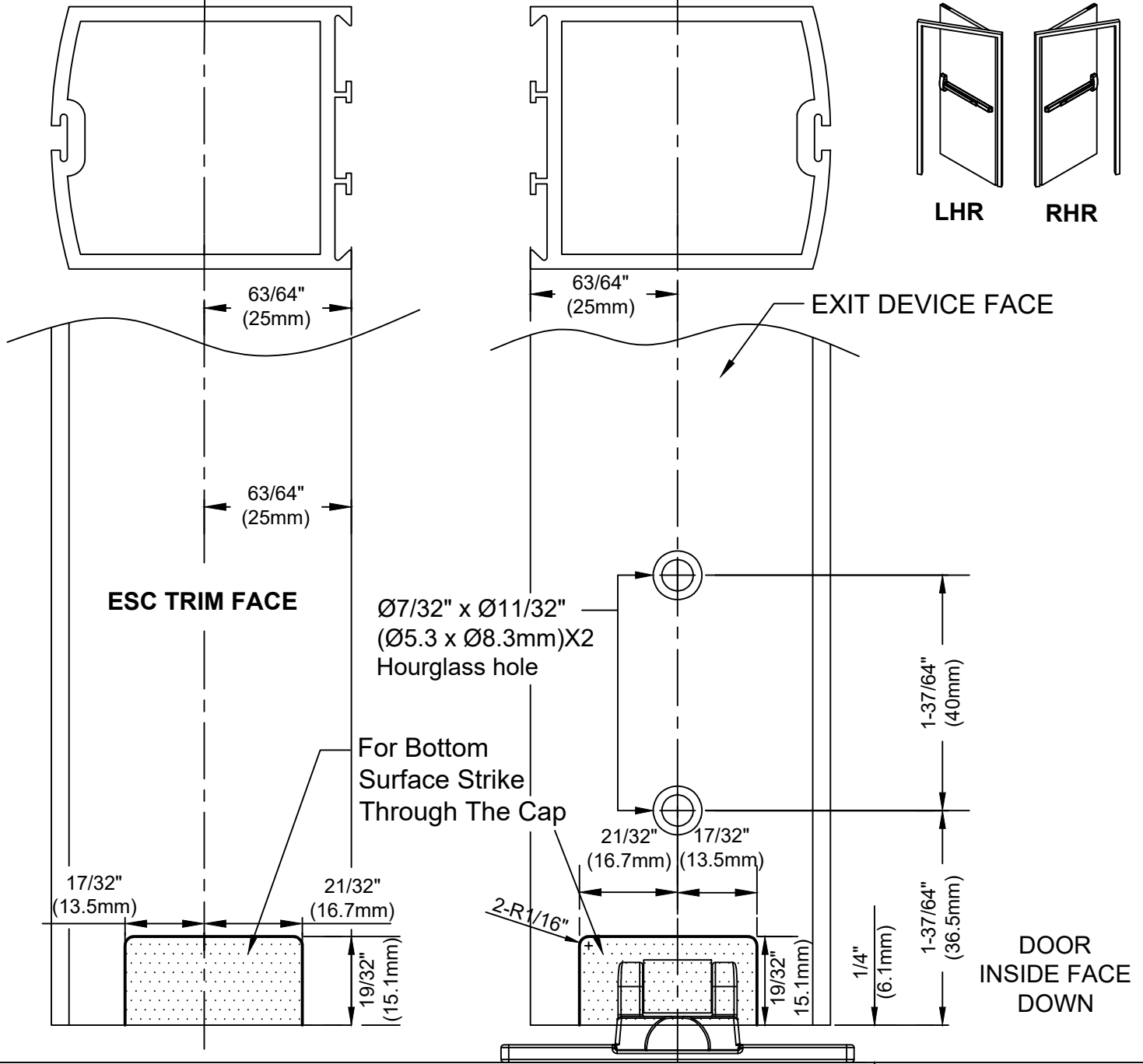


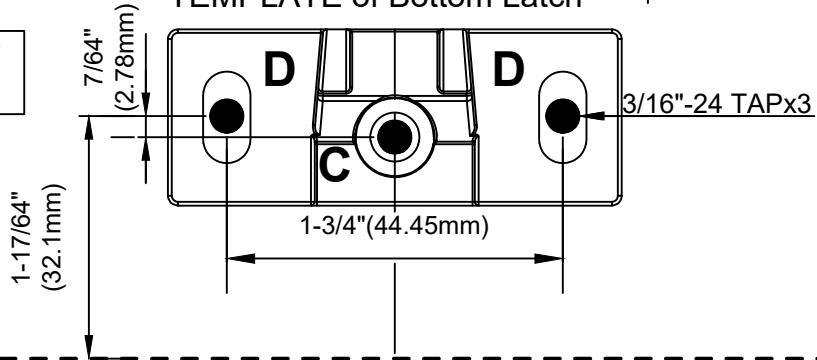
TEMPLATE of Bottom Latch Housing Ass'y [Narrow Stile Frame]

OPTION 1 : SURFACE APPLIED STRIKE



TEMPLATE of Bottom Latch

Fix/tighten (D) firstly then fix/tighten (C)



FOLD HERE ON DOTTED LINE (Door Inside Edge)

The illustration and technical description in this cut sheet is current as of the date in version date on the right. Cal-Royal Product reserves the right to, and may, on occasions, make changes and/or improvements in designs and dimensions without prior notice.

| | | | | | | | | |
|--|--|----------|---|--------------|---|------------------------|------------|---------------------|
| | 6605 Flotilla Street City of Commerce CA 90040 USA Tel.# (323) 888-6601 FAX # (323) 888-6699 WEB SITE: CAL-ROYAL.COM Email: sales@cal-royal.com | ITEM NO. | DESCRIPTION | NOT TO SCALE | UNIT | Prepared By: | DATE | DWG. NO. |
| | | N-265 | TEMPLATE OF SURFACE APPLIED STRIKE (ROLLER) BOTTOM LATCH TO N-77GLS-CVR/N-98GLS-CVR FOR 2" NARROW STILE | PAGE 1 of 1 | PRIMARY DIMENSION SHOWN IN INCHES, DIMENSIONS IN () ARE MM | BBT / ADG AED / CVL | 07/31/2023 | EDT-4074-07/23-1of1 |
| | | | | | | | | REV |