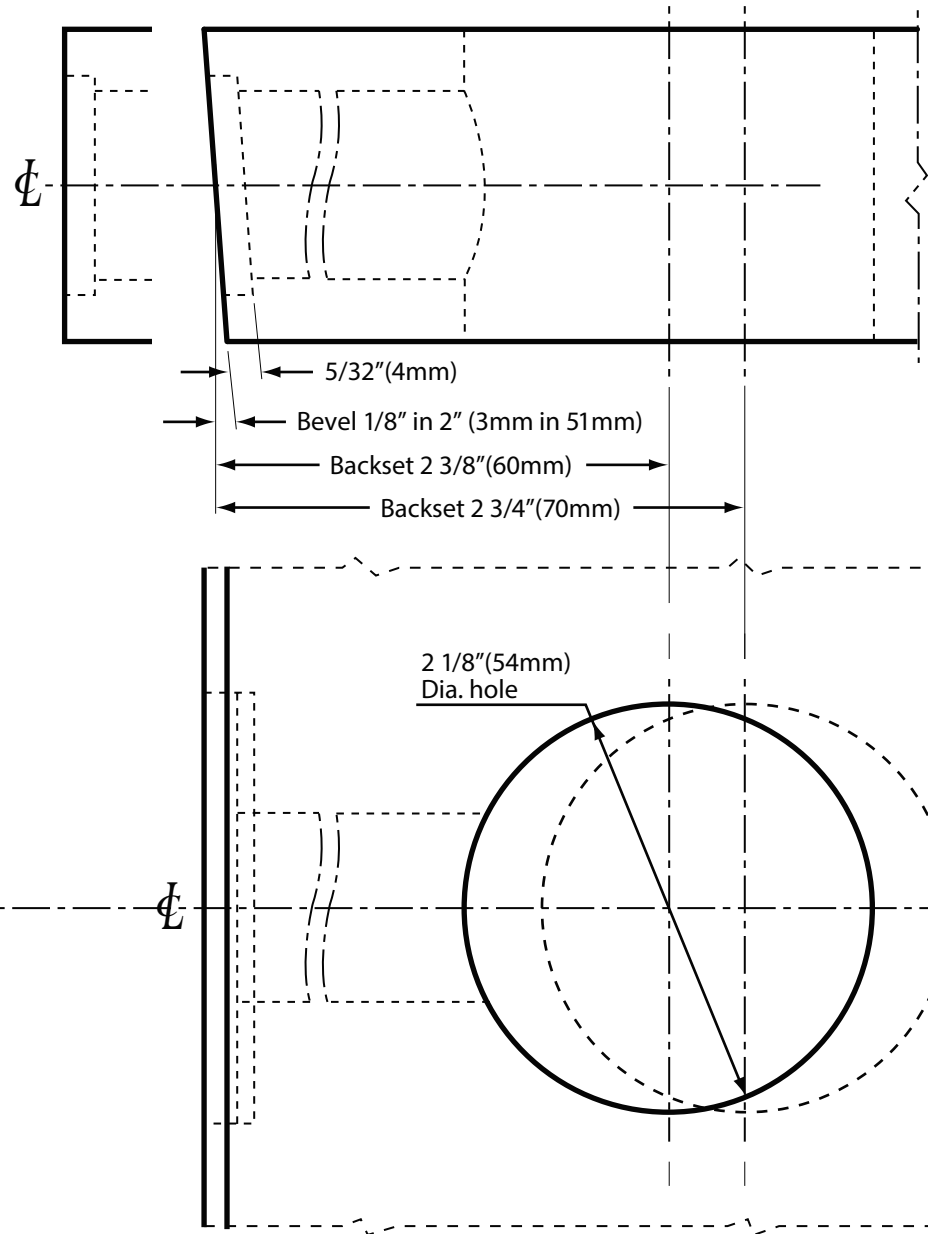
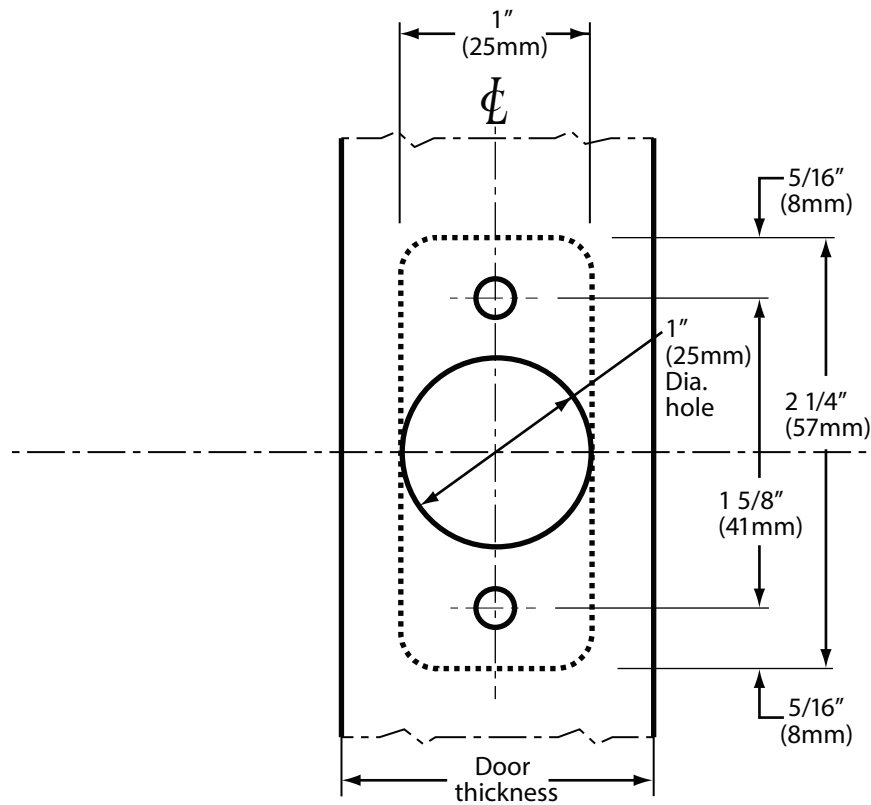


**Standard Packaging:**

Latchbolt: Adjustable 2-3/8" to 2-3/4" Backset

Face plate: 1" x 2-1/4" Round Corner or Drive-In Adapter



6605 Flotilla St.  
City of Commerce  
CA 90040 USA  
Tel: (323) 888-6601  
FAX: (323) 888-6699  
Website: cal-royal.com  
Email: sales@cal-royal.com

ITEM NO.	DESCRIPTION	ANSI	SCALE	UNIT	VERSION
<b>CLP500</b>	CLIPPER SERIES SINGLE CYLINDER DEADBOLT	A156.2 Grade 3	1 : 1 IF PRINTED TO SIZE	inches (mm)	ver. 1.0 rev. 11/14
			PAGE 1 OF 1		<b>BY:</b> adg