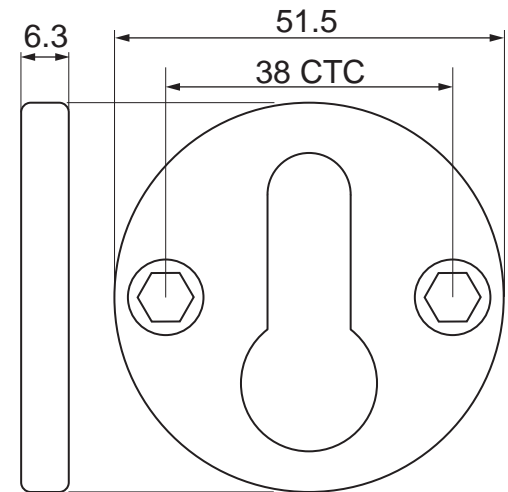


EXTERNAL PLATE



INTERNAL PLATE



6605 Flotilla St.
 City of Commerce
 CA 90040 USA
 Tel: (323) 888-6601
 FAX: (323) 888-6699
 Website: cal-royal.com
 Email: sales@cal-royal.com

ITEM NO.	DESCRIPTION	SCALE	UNIT	VERSION
6920	ESCUTCHEONS Euro profile cylinder suitable for euro profile or dual profile cylinder lock cases	1 : 1 <small>IF PRINTED TO SIZE</small>	(mm)	ver. 1.0 rev. 11/15
		PAGE 1 OF 1		BY: adg