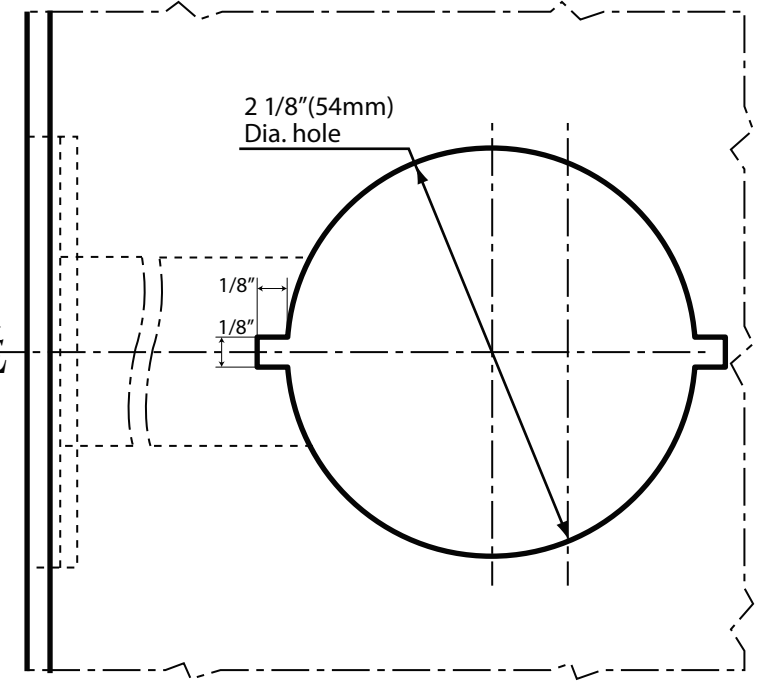
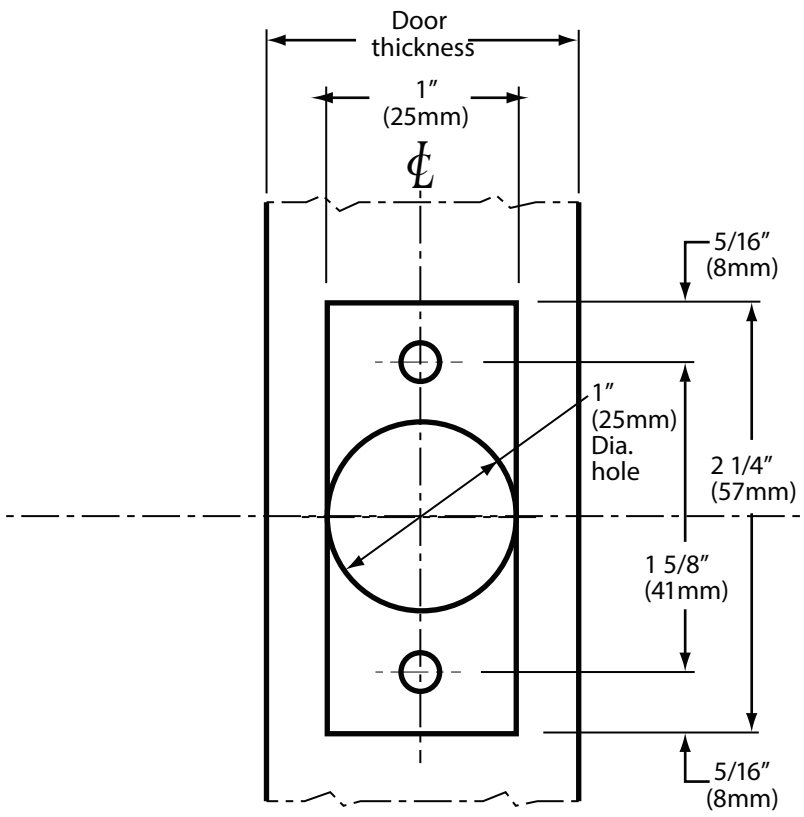
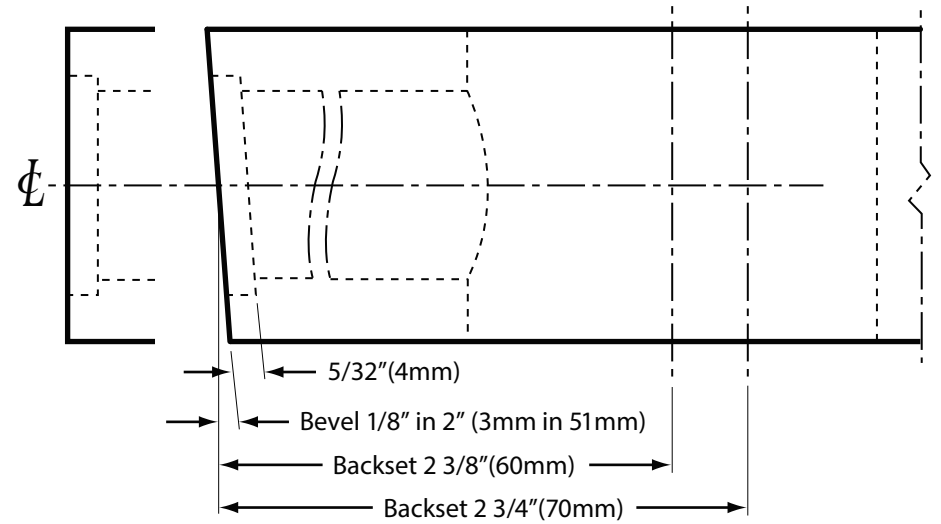
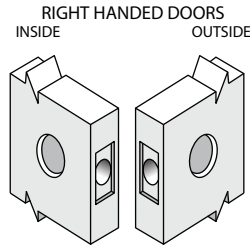
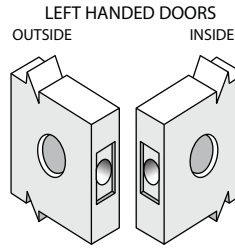


Standard Packaging:

Latchbolt: Adjustable 2-3/4" & 2-3/8"

Face plate: 1" x 2-1/4"

Plastic filler for 1-1/8" latch prep



NOTE: Applicable for all functions except dummy



6605 Flotilla St.
City of Commerce
CA 90040 USA
Tel: (323) 888-6601
FAX: (323) 888-6699
Website: cal-royal.com
Email: sales@cal-royal.com

| ITEM NO. | DESCRIPTION | ANSI | SCALE | UNIT | VERSION |
|-------------|----------------------|-------------------|-------------|----------------|-----------------------|
| 7500 | COLUMBUS 7500 SERIES | A156.2 Grade 2 | 1 : 1 | inches (mm) | ver. 1.0 rev. 04/12 |
| | | | PAGE 1 OF 1 | | BY: bteves/sac |