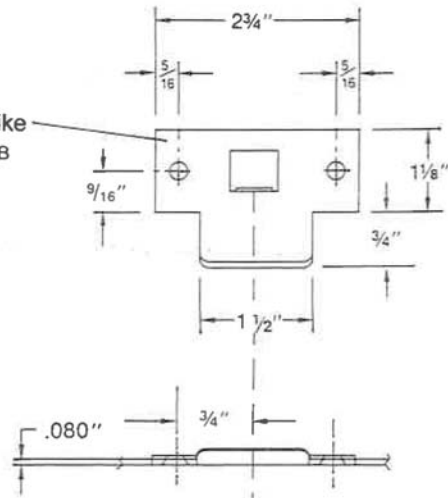
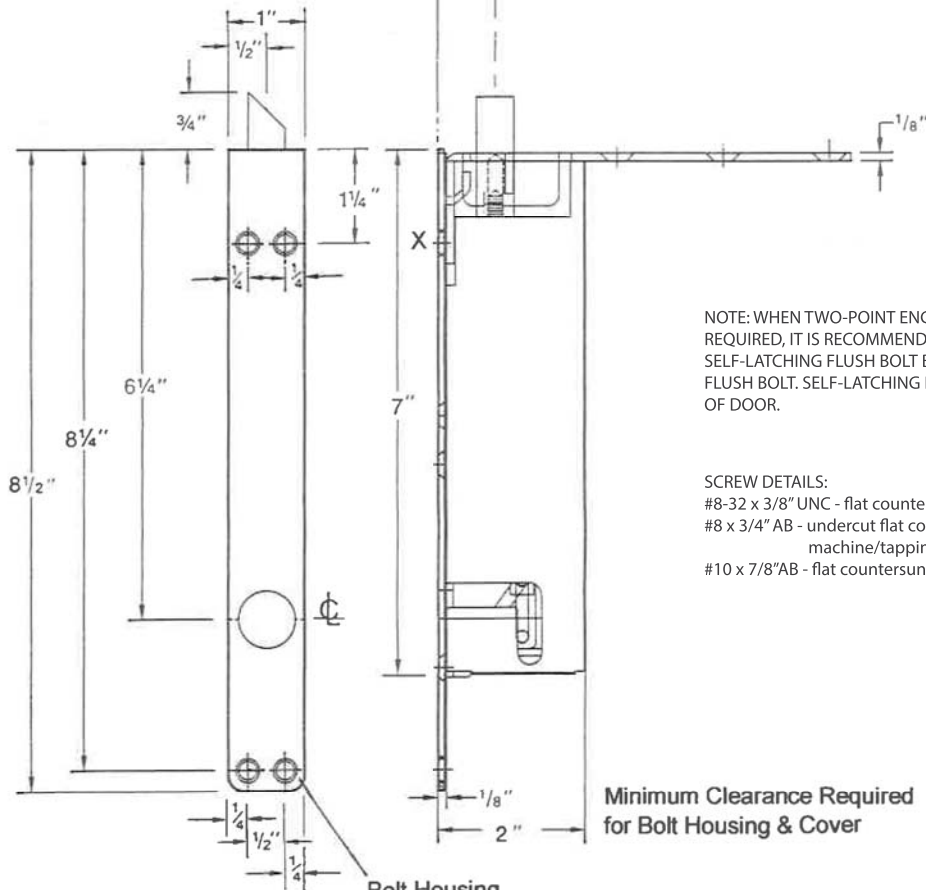
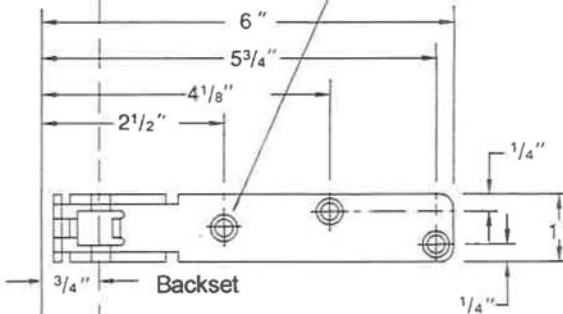


Frame & Lip Strike
2 each #8 x 3/4" AB



DIMENSIONS SHOWN ON THIS TEMPLATE ARE FOR TOP FLUSH BOLTS.

Top Bolt Hd. Guide
3 each #10 x 7/8" AB



NOTE: WHEN TWO-POINT ENGAGING WITH LATCHING ACTION IS REQUIRED, IT IS RECOMMENDED THAT ONE CONSTANT SELF-LATCHING FLUSH BOLT BE USED WITH ONE AUTOMATIC FLUSH BOLT. SELF-LATCHING BOLT SHOULD BE INSTALLED AT TOP OF DOOR.

SCREW DETAILS:
#8-32 x 3/8" UNC - flat countersunk head machine screw, total 2 pcs.
#8 x 3/4" AB - undercut flat countersunk head, dual purpose machine/tapping screw, total 4 pcs.
#10 x 7/8" AB - flat countersunk head tapping screw, total 3 pcs.

Minimum Clearance Required for Bolt Housing & Cover

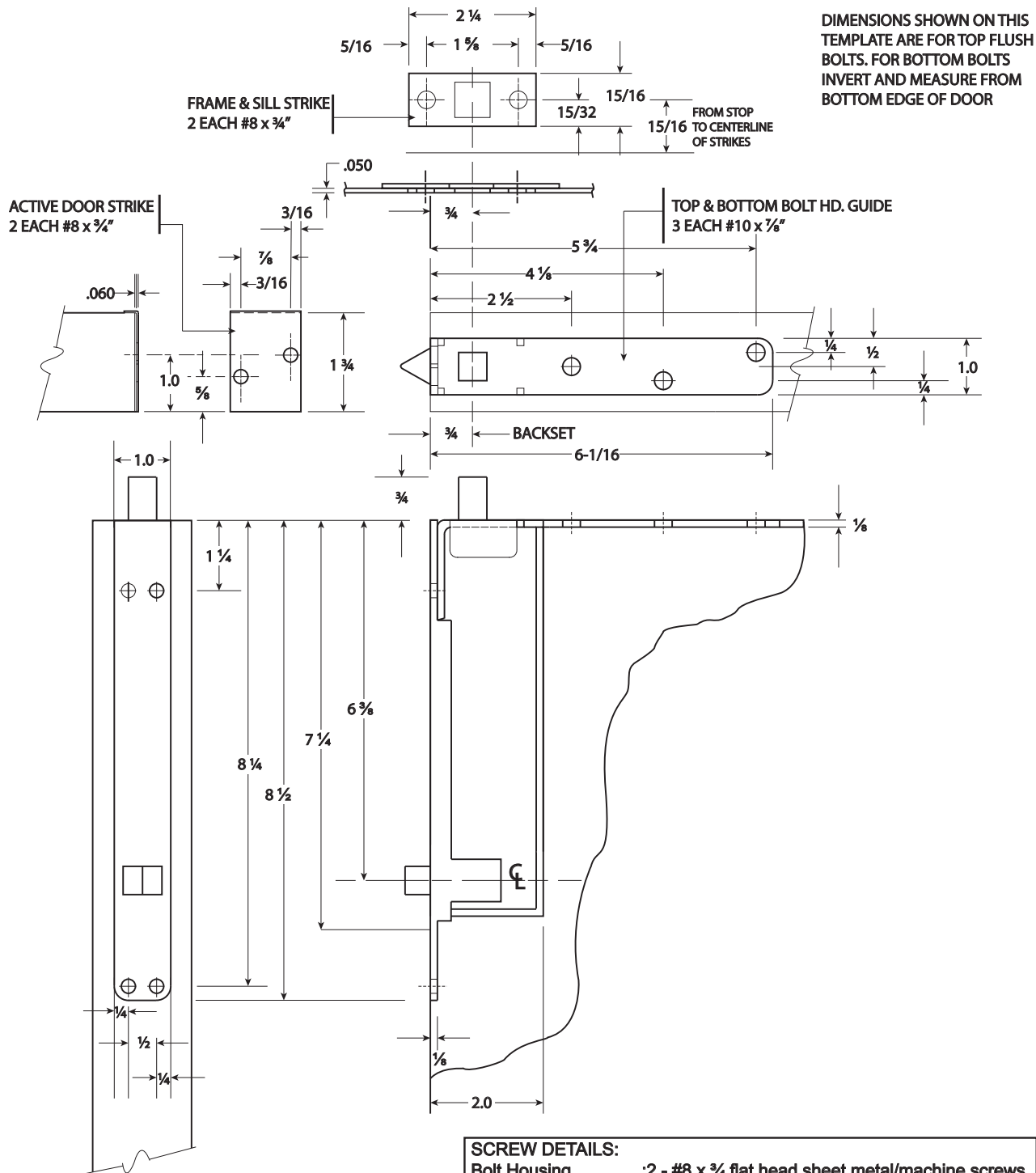
Bolt Housing

2 each #8 x 3/4" AB (The short screws are seated into the holes of bolt housing
2 each #8-32 x 3/8" UNC as shown mark X, where faces the Bolt Extension Rod.)



6605 Flotilla St.
City of Commerce
CA 90040 USA
Tel: (323) 888-6601
FAX: (323) 888-6699
Website: cal-royal.com
Email: sales@cal-royal.com

ITEM NO.:	DESCRIPTION:	SCALE:
SLAUTOFLW4	CONSTANT LATCHING FLUSH BOLT FOR WOOD DOOR APPLICATION	NOT TO SCALE
ANSI:	UNIT:	VERSION:
	inches	ver. 1.0 rev. 03/14
		BY:
		adg



DIMENSIONS SHOWN ON THIS TEMPLATE ARE FOR TOP FLUSH BOLTS. FOR BOTTOM BOLTS INVERT AND MEASURE FROM BOTTOM EDGE OF DOOR

ACTIVE DOOR STRIKE
2 EACH #8 x 3/4"

FRAME & SILL STRIKE
2 EACH #8 x 3/4"

TOP & BOTTOM BOLT HD. GUIDE
3 EACH #10 x 7/8"

BOLT HOUSING
2 EACH #8 x 3/4"
2 EACH #8-32 x 1/4"

SCREW DETAILS:	
Bolt Housing	:2 - #8 x 3/4" flat head sheet metal/machine screws
	2 - #8-32 x 3/8" flat head sheet metal screws
Frame & Sill Strike	:2 - #8 x 3/4" flat head sheet metal/machine screws
Reversible Bolt Guide	:2 - #8 x 3/4" flat head sheet metal/machine screws
Active Door Strike	:2 - #8 x 3/4" flat head sheet metal/machine screws



6605 Flotilla St.
City of Commerce
CA 90040 USA
Tel: (323) 888-6601
FAX: (323) 888-6699
Website: cal-royal.com
Email: sales@cal-royal.com

ITEM NO.:	DESCRIPTION:	SCALE:
AUTOFLW-22	AUTOMATIC FLUSH BOLT FOR WOOD DOOR APPLICATION	1:1 5/8
ANSI:	UNIT:	VERSION:
---	inches (mm)	ver. 1.0 rev. 01/12
		BY:
		bteves/jsa