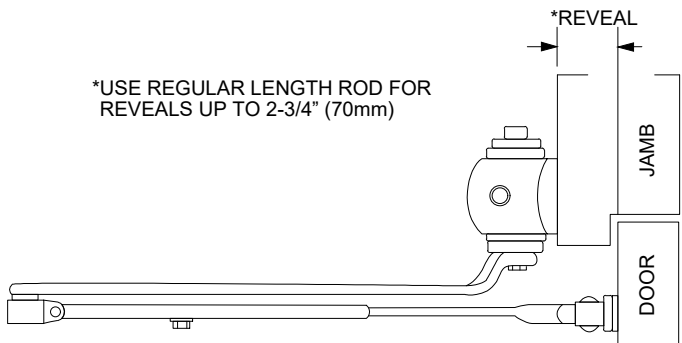


OPENING	A	
	INCHES	MM
TO 100°	7-1/2"	191
100° TO 130°	8"	152
OVER 130°	4-1/2"	114

*USE REGULAR LENGTH ROD FOR REVEALS UP TO 2-3/4" (70mm)



- RIGHT HAND DOOR SHOWN
- SAME DIMENSIONS APPLY FOR LEFT HAND DOOR
- MEASURED FROM CENTERLINE OR PIVOT POINT
- DIMENSIONS ARE IN: **INCHES (")**
MILLIMETER (mm)

Preparation for Fasteners		
Fasteners	Door or frame	Drill-Sizes
Self Drilling/Tapping Machine Screw	Hollow Metal or Aluminum	No drill required
	Wood (see note)	3/16" pilot hole
1/4"-20 Machine Screw	Hollow Metal	Drill # 7 (0.201" dia.) & Tap 1/4"-20
Self Drilling/Tapping Machine Screw	Hollow Metal or Aluminum	9/32" drill closer side & 3/8" drill opposite side
	Wood Screw	3/8" drill opposite side
Wood Screw	Wood	3/16" pilot hole

NOTE: Wood doors/frames must have a pilot hole drilled when using Self Drilling/Tapping screws.

The illustration and technical description in this cut sheet is current as of the date in version date on the right. Cal-Royal Product reserves the right to, and may, on occasions, make changes and/or improvements in designs and dimensions without prior notice.

	6605 Flotilla Street City of Commerce CA 90040 USA Tel.# (323) 888-6601 FAX # (323) 888-6699 WEB SITE: CAL-ROYAL.COM Email: sales@cal-royal.com		ITEM NO.	DESCRIPTION :	NOT TO SCALE	UNIT	Prepared By:	DATE	DWG. NO.
	CR801	CR801 DOOR CLOSER TOP JAMB INSTALLATION TEMPLATE	PAGE 1 OF 1	PRIMARY DIMENSION SHOWN IN INCHES, DIMENSIONS IN () ARE MM		BBT / ADG / CVL	04/18/2022	DCT1022	
							REV - - - -		