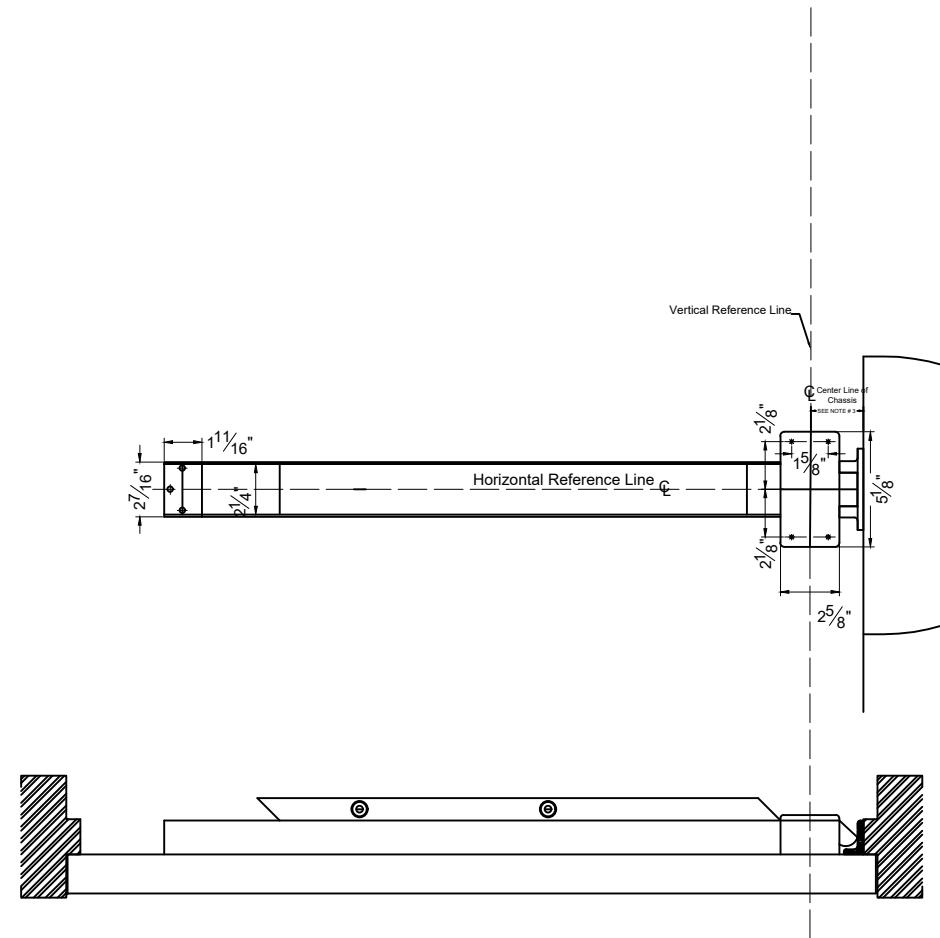
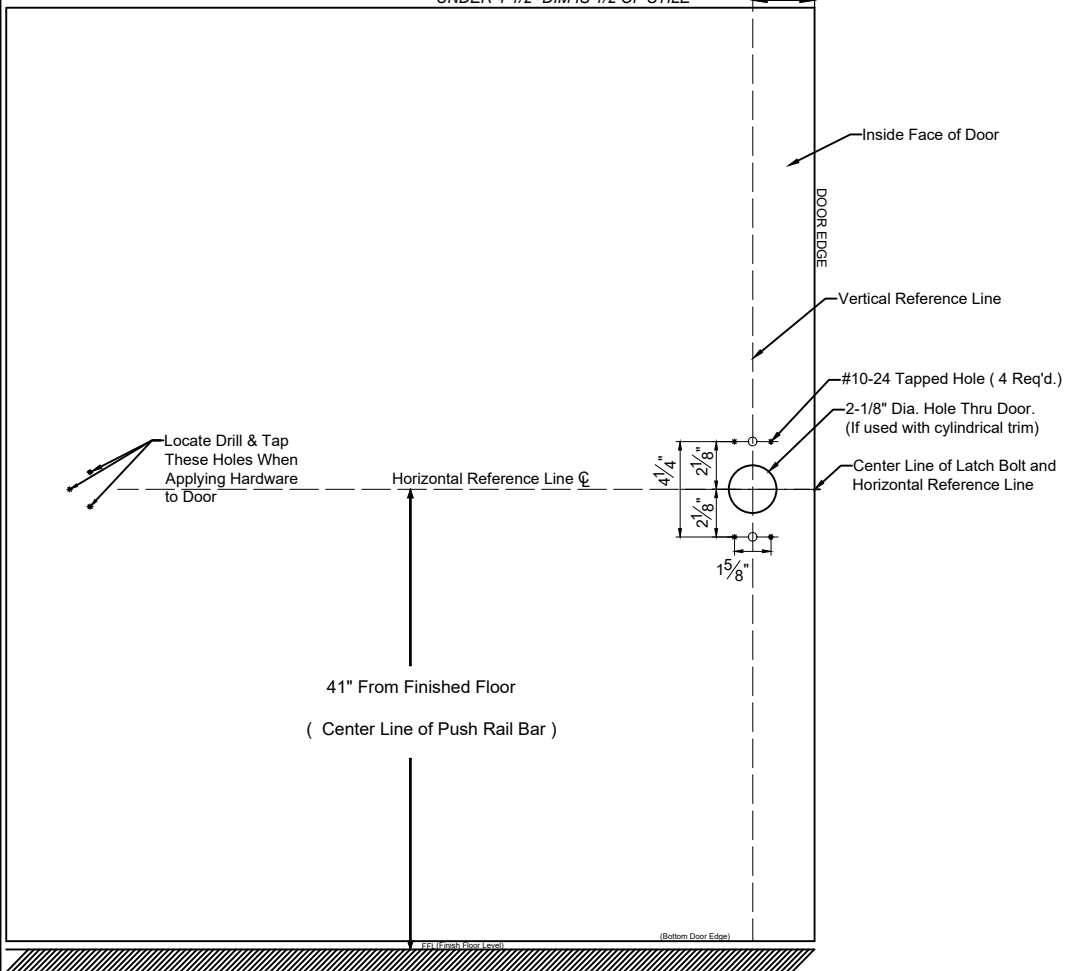


IF LOCK STILE IS 4-1/2" WIDE OR  
WIDER DIM IS 2-3/4" IF LOCK STILE IS  
UNDER 4-1/2" DIM IS 1/2 OF STILE



NOTES:

1. SURFACE OF DOOR WHERE EXIT DEVICE IS TO APPLIED MUST BE FLUSHED
2. SEE MASTER SHEET FOR AREAS REQUIRING REINFORCEMENTS
3. WE RECOMMEND THAT ALL TAPPED HOLES BE DRILLED AND TAPPED IN FIELD
4. TOLERANCE ON ALL DIMENSIONS  $\pm \frac{1}{64}$ "

The illustration and technical description in this cut sheet is current as of the date in version date on the right. Cal-Royal Product reserves the right to, and may, on occasions, make changes and/or improvements in designs and dimensions without prior notice.



6605 Flotilla Street  
City of Commerce  
CA 90040 USA  
Tel: # (323) 888-6601  
FAX: # (323) 888-6699  
WEB SITE:  
CAL-ROYAL.COM  
Email: sales@cal-royal.com

ITEM NO.	DESCRIPTION :	NOT TO SCALE	UNIT	Prepared By:	DATE	DWG. NO.
AF2200EO	TEMPLATE FOR RIM EXIT DEVICE	PAGE 1 OF 1	PRIMARY DIMENSION SHOWN IN INCHES, DIMENSIONS IN ( ) ARE MM	BBT / ADG AED/ CVL	11/16/23	EDT-4089-08/23-1of1
						Ver. -