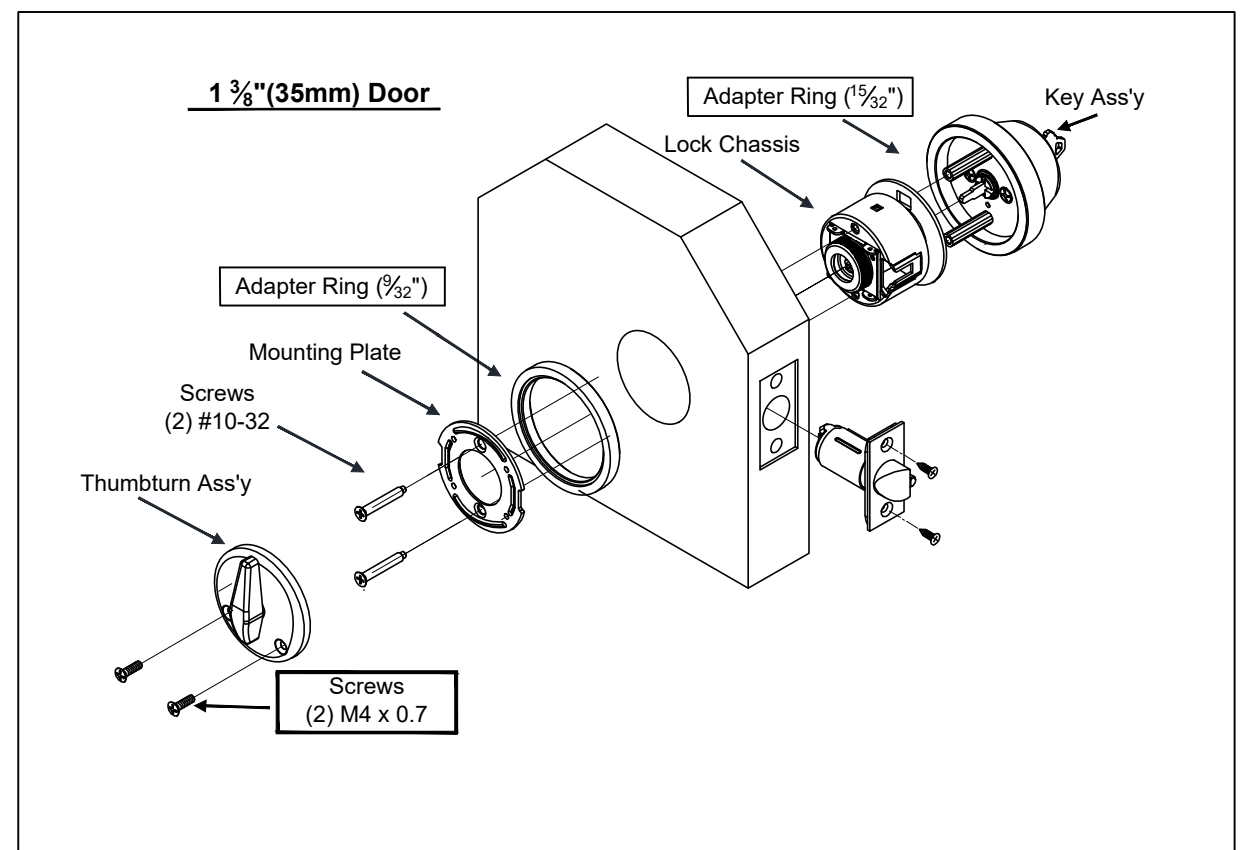
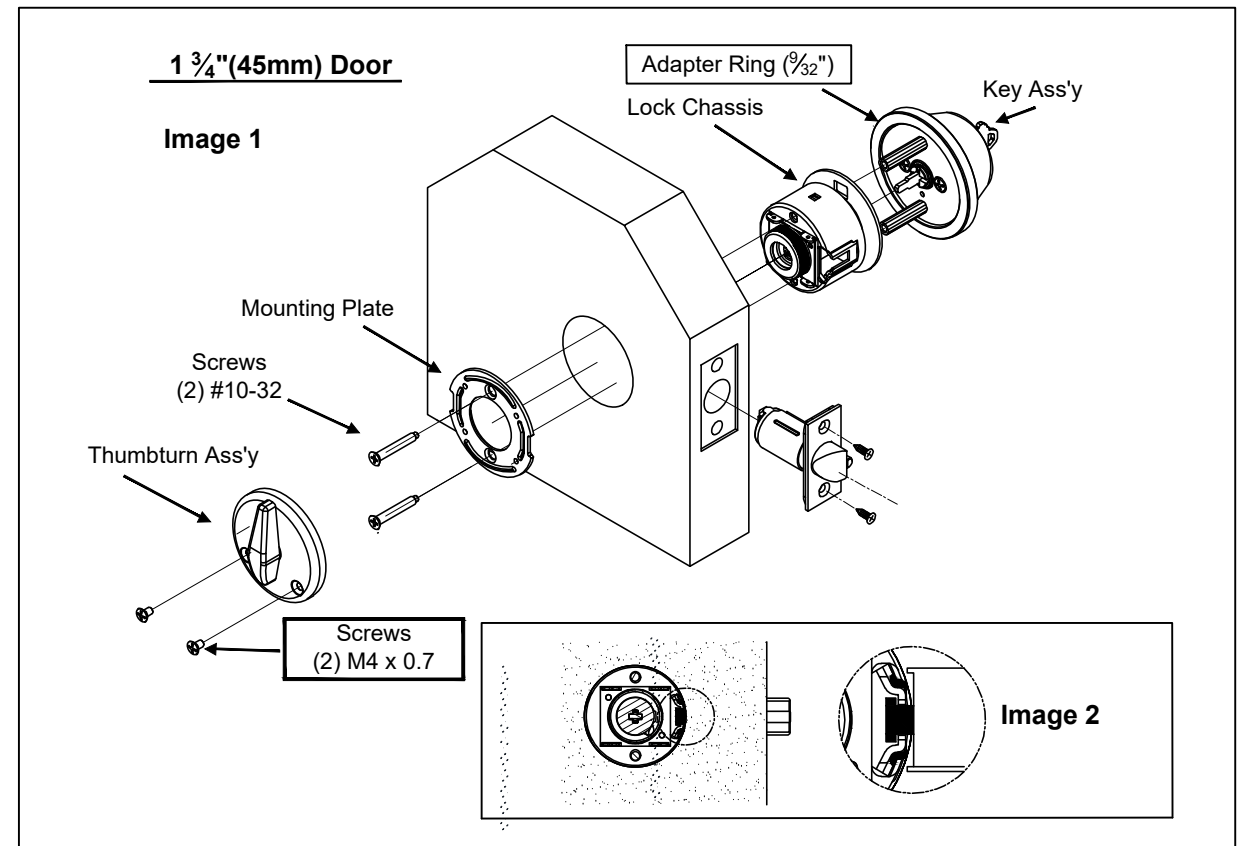
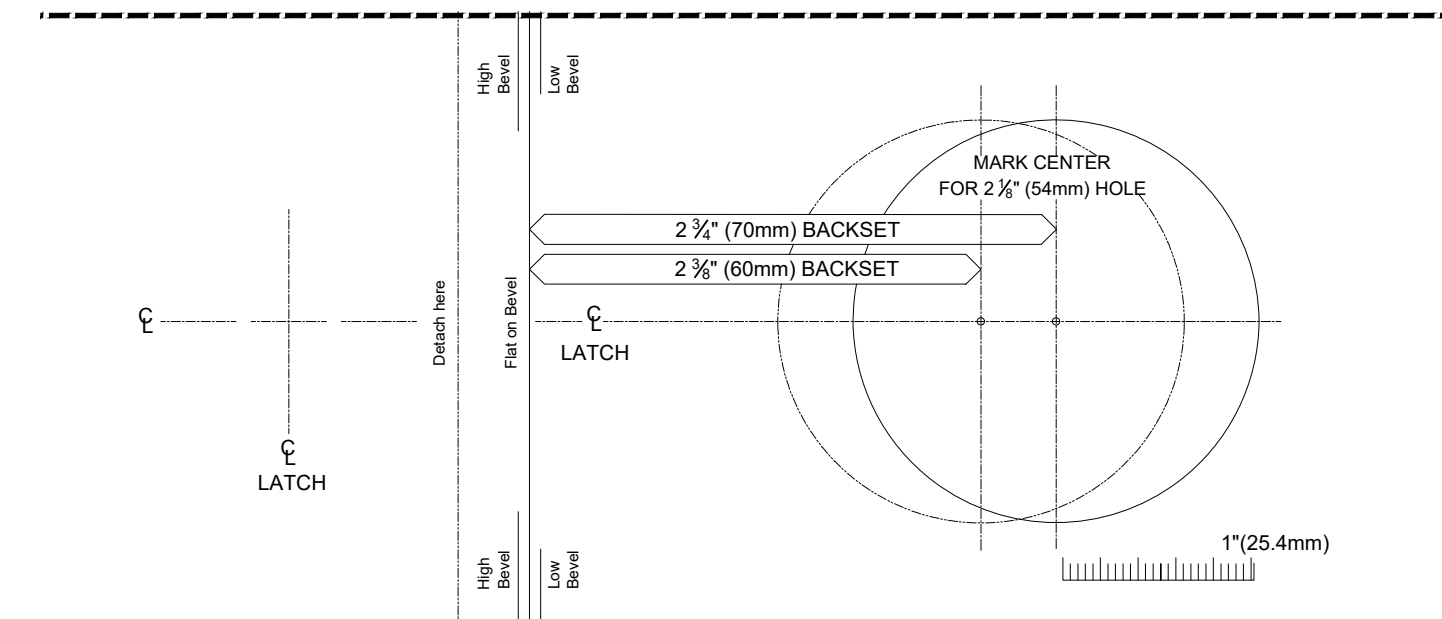
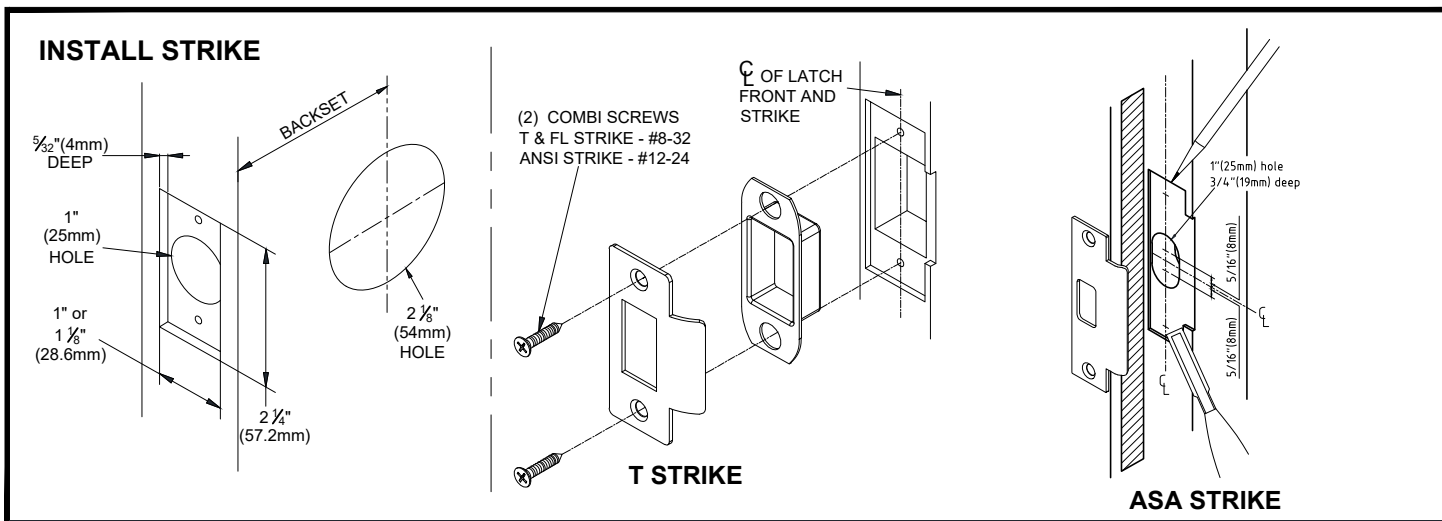


# Installation Instructions for Guardian Series (Cylindrical Deadlatch)

1. Insert latch into the 1" hole and secure with two screws.
2. From the outside, slide the key assembly, adapter ring, chassis assembly through the 2 1/8" diameter hole and properly engage the retractor and latch.

**IMPORTANT: PRONGS MUST ENGAGE CHASSIS AS SHOWN IN IMAGE 2 (see next page)**

3. Position the mounting plate lining up with the thru-bolt, and secure with (2) #10-32 screws.
4. Before installing the inside thumb turn assembly, check that the latch is properly engaged from the inside of the door.
5. Position the inside thumb turn assembly (and 9/32" adapter ring for 1 3/8" door thickness) and fix with (2) M4 x 0.7 screws.
6. Before closing the door, turn the key and thumb turn to check if both are working properly.



The illustration and technical description in this cut sheet is current as of the date in version date on the right. Cal-Royal Product reserves the right to, and may, on occasions, make changes and/or improvements in designs and dimensions without prior notice.

|  |  |                        |  |             |   |                       |            |                     |
|--|--|------------------------|--|-------------|---|-----------------------|------------|---------------------|
|  | 6605 Flotilla Street<br>City of Commerce<br>CA 90040 USA<br>Tel.# (323) 888-6601<br>FAX # (323) 888-6699<br>WEB SITE:<br>CAL-ROYAL.COM<br>Email: sales@cal-royal.com | ITEM NO.               | DESCRIPTION :  | SCALE       | UNIT  | Prepared By:          | DATE       | DWG. NO.            |
|  |  | <b>GUARDIAN SERIES</b> | INSTALLATION INSTRUCTION & TEMPLATE FOR GUARDIAN SERIES, CYLINDRICAL DEADLATCH | 1:1         | PRIMARY DIMENSION SHOWN IN INCHES, DIMENSIONS IN ( ) ARE MM | BBT / ADG / CVL / CMT | 03/18/2024 | LSG-2049-02/24-1of1 |
|  |  |                        |  | PAGE 1 OF 1 |   |                       |            | REV-01              |