

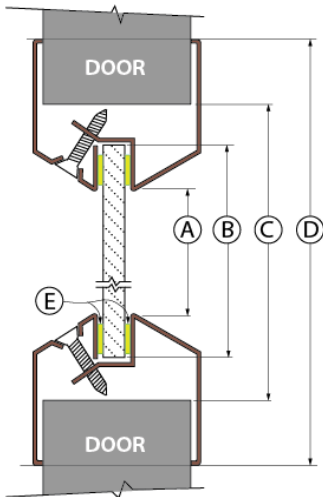
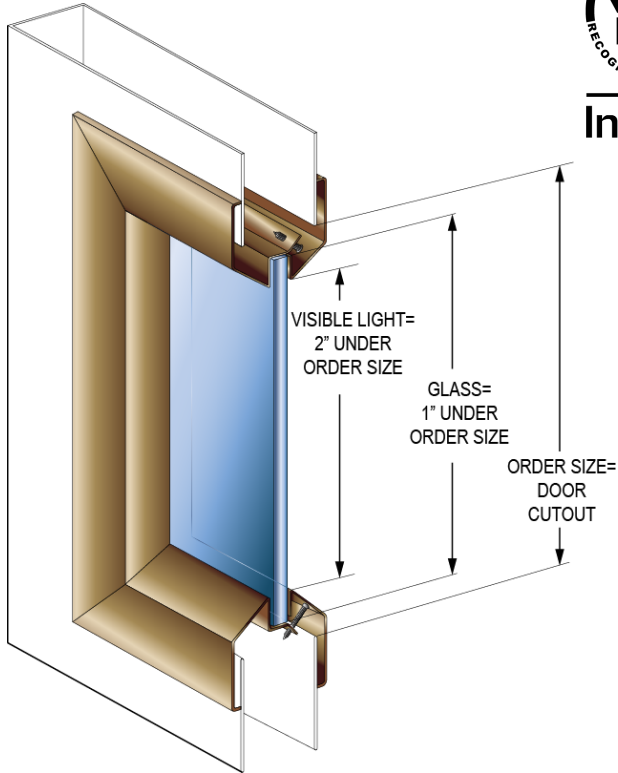
LITES... VL SERIES, VISION LITE STANDARD PROFILE

**IN STOCK
FOR IMMEDIATE SHIPPING**



Intertek

- ▶ 45-180 Minute Fire-Rated Steel Vision Lites for 3/16" to 1/4" Glass
- ▶ Standard Profile Vision Lite for Fire Rated Doors
- ▶ Frame has Single-Sided Fasteners
- ▶ 20 Gauge Cold Rolled Steel
- ▶ Designed for use with 1 3/4" Doors Only
- ▶ Baked on Powder Coat Finish
- ▶ Color: Standard Bronze
- ▶ Fasteners: # 8 x 7/8" Flathead Phillips Head SMS



- (A) VISIBLE LIGHT = 2" UNDER ORDER SIZE
- (B) GLASS = 1" UNDER ORDER SIZE
- (C) ORDER SIZE = DOOR CUTOUT
- (D) 1-3/8" OVER ORDER SIZE
- (E) GLAZING TAPE

ITEM #	SIZE (DOOR CUTOUT) Width x Height	PCS / CTN		
VL520	5" x 20"	6	Custom Sizes available. Width: 5" to 36" Height: 4" to 72"	
VL535	5" x 35"	6		
VL624	6" x 24"	6		
VL626	6" x 26"	6		
VL627	6" x 27"	6		
VL630	6" x 30"	6		
VL636	6" x 36"	6		
VL722	7" x 22"	6		
VL818	8" x 18"	6		
VL830	8" x 30"	6		
VL832	8" x 32"	6		
VL836	8" x 36"	6		
VL1010	10" x 10"	10		For pricing & availability inquiries contact your Local Distributor or click here for the list of our Sales Representatives
VL1212	12" x 12"	10		
VL1414	14" x 14"	10		
VL1818	18" x 18"	2		
VL2020	20" x 20"	4		
VL2030	20" x 30"	2		
VL2424	24" x 24"	4		
VL2430	24" x 30"	4		
VL2432	24" x 32"	4		
VL2434	24" x 34"	2		
VL2436	24" x 36"	2		
VL2456	24" x 56"	1		
VL2460	24" x 60"	1		
VL2464 *	24" x 64"	1		

GLASS NOT INCLUDED

***Shaded Items are Non-Fire Rated.**

See Lites & Louvers Intertek Certification for detailed information on Fire Ratings.

Or visit: <http://www.cal-royal.com/pdf/litescertification.pdf>