

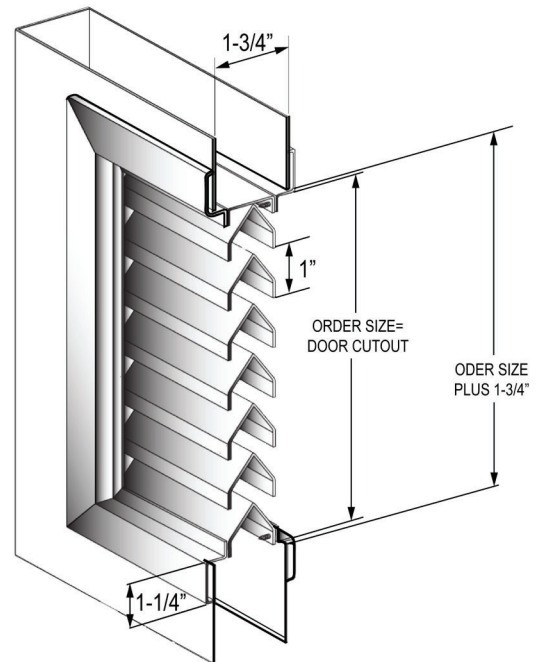
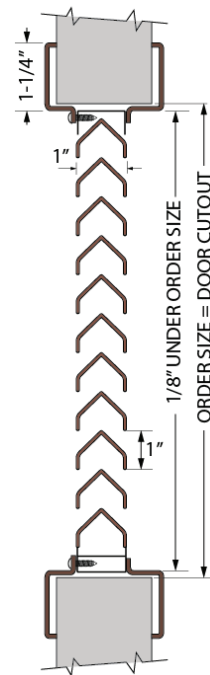
VLV, INVERTED Y-BLADE LOUVERS

90 Minute Fire-Rated Steel Louvers

- ▶ For use in Fire Rated Door Applications under Positive and Neutral Pressure Intertek Testing Certification in Compliance to NFPA 252 (2000), UL 10C (2009), NFPA 252 (2012), CSI Code 089000 Louvers & Vents
- ▶ 18 Gauge Cold Rolled Steel Frame and Blades
- ▶ Mitered Welded Corner Frame Construction
- ▶ Reverse "Y" Blades are Framed Supported at 1" Increments with Blocked Vision Design
- ▶ Single Side Mounting for Non Corridor Exposure with Fastening Screw Included
- ▶ Designed for use with 1 3/4" Doors Only
- ▶ Baked on Powder Coat Finish
- ▶ Free Flow Area: 50% free area
- ▶ Color: **Dark Bronze (DB)** and
- ▶ Available in **Grey (PR, Prime Coat)** in selected sizes only
- ▶ **See color chart on page 1 of the catalog for CUSTOM COLORS, available with factory lead time at standard discount only**
- ▶ Fasteners: Phillips Head Screws # 8 x 3/4"
- ▶ Individually boxed.

IN STOCK
FOR IMMEDIATE SHIPPING

OTHER FRAME COLORS AVAILABLE WITH FACTORY LEAD TIME (STANDARD DISCOUNT ONLY)



ITEM #	SIZES (DOOR CUTOUT) Width x Height	PCS / MC
*VLV1212	12" x 12"	4
VLV1218	12" x 18"	2
*VLV1224	12" x 24"	2
*VLV1812	18" x 12"	2
*VLV1818	18" x 18"	2
VLV1824	18" x 24"	2
VLV1860	18" x 60"	2
VLV1864	18" x 64"	2
VLV2010	20" x 10"	2
*VLV2412	24" x 12"	2
VLV2418	24" x 18"	2
*VLV2424	24" x 24"	1
VLV2460	24" x 60"	2
VLV2464	24" x 64"	2
Shaded Items are Non-Fire Rated.		
*Available in GREY (PR, Prime Coat finish). Suffix "-PR" after part number. Example: To order VLV1212 in GREY finish, use VLV1212-PR .		

Aluminum Insect Screen for VLV Series
 Framed Aluminum Insect Screen (prefix FA)
 Ex. FAVLV1212
 Unframed Aluminum Insect Screen (prefix UA)
 Ex. UAVLV1212

See Lites & Louvers Intertek Certification for detailed information on Fire Ratings.
 Or visit: <http://www.cal-royal.com/pdf/litescertification.pdf>