

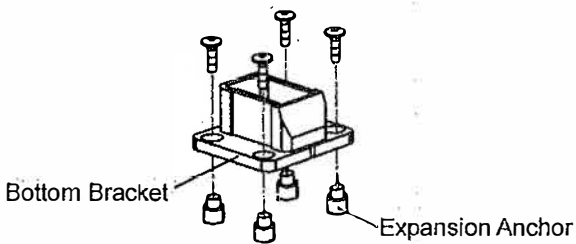
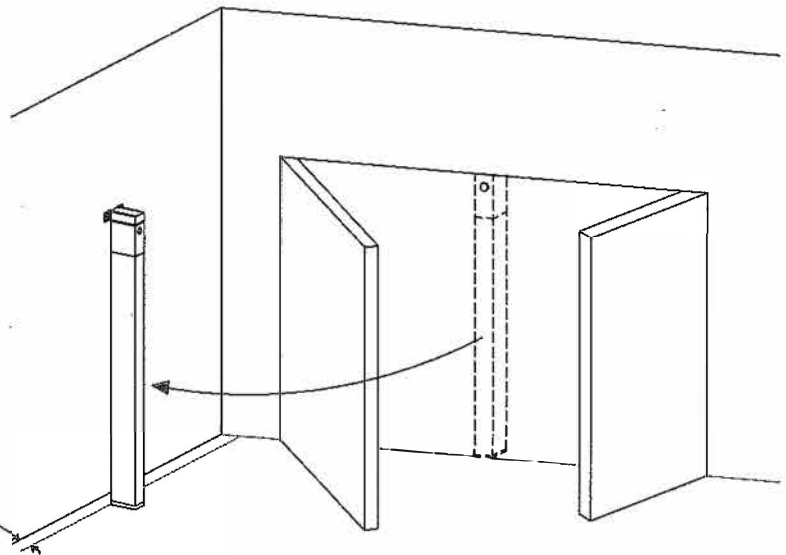
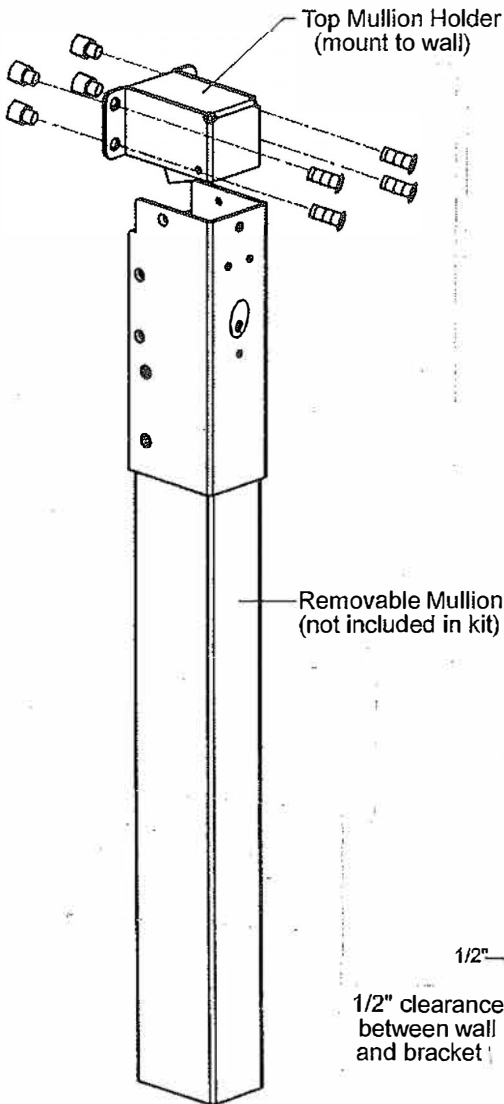
Wall Mounted Mullion Storage Kit Installation Instructions



Installation:

To remove the mullion unit from the area of egress, it should be stored behind a door, in a recessed area, or in an inside corner, as shown below. NOTE: Ensure that the location of the wall mount does not interfere with the function of the door.

1. Mount bottom bracket 1/2" from wall.
2. Using mullion, locate mounting height of top mullion holder.
3. Mount top mullion holder on wall as shown.



Kit includes :

- Top mullion holder (1)
- Bottom bracket (1)
- 5/16"-18p x 1-1/2" Hex Socket Head Machine Screws (8)
- 5/16"-18p Expansion Anchors (8)