
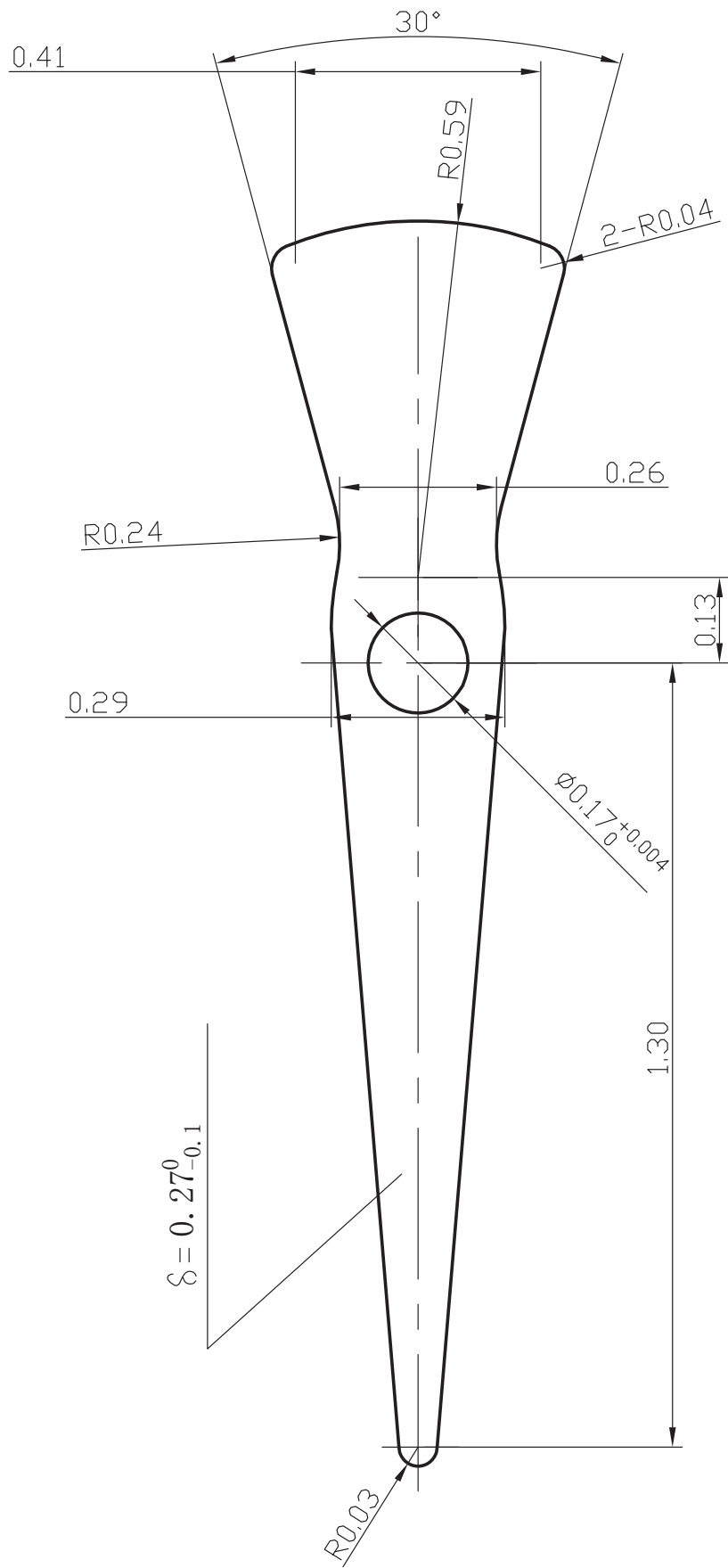


DIMENSIONS ARE IN INCHES

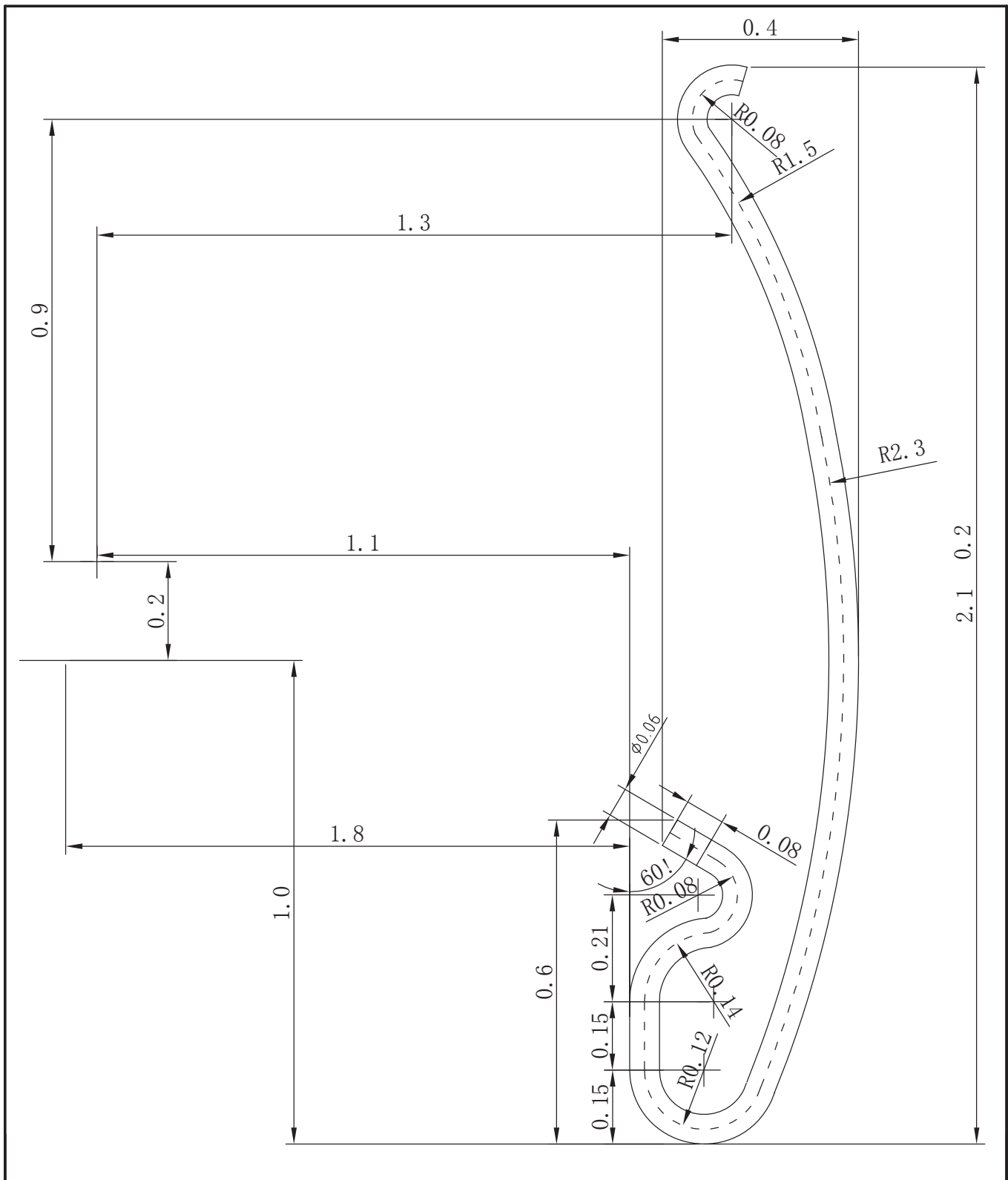
TOLERANCES:
 ONE PLACE DECIMAL ± 0.03
 TWO PLACE DECIMAL ± 0.01
 THREE PLACE DECIMAL ± 0.005

Material		Drawings Number
STEEL		WF6341-Ahead Board
Date	Proportion	
10-23-2015	1:1	




DIMENSIONS ARE IN INCHES
 TOLERANCES:
 ONE PLACE DECIMAL ± 0.03
 TWO PLACE DECIMAL ± 0.01
 THREE PLACE DECIMAL ± 0.005

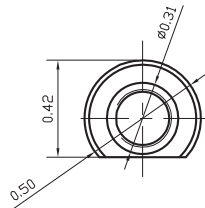
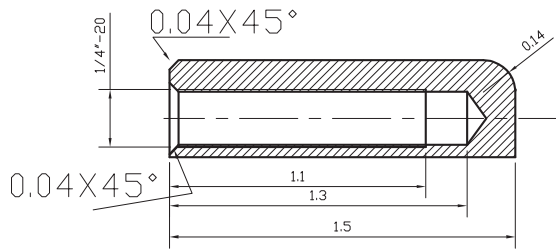
Material	Drawings Number	
	WF6341-Flipper	
BRASS	Date	Proportion
	10-23-2015	3:1



DIMENSIONS ARE IN INCHES


TOLERANCES:
 ONE PLACE DECIMAL ± 0.03
 TWO PLACE DECIMAL ± 0.01
 THREE PLACE DECIMAL ± 0.005

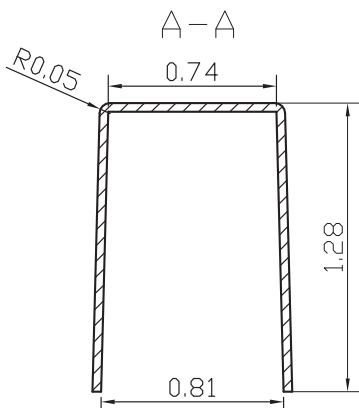
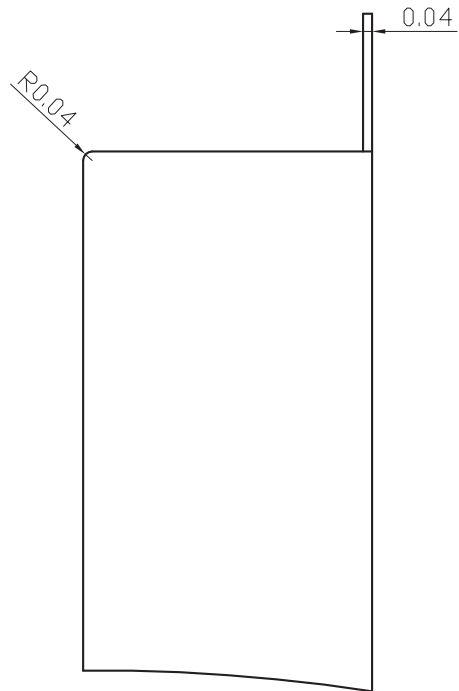
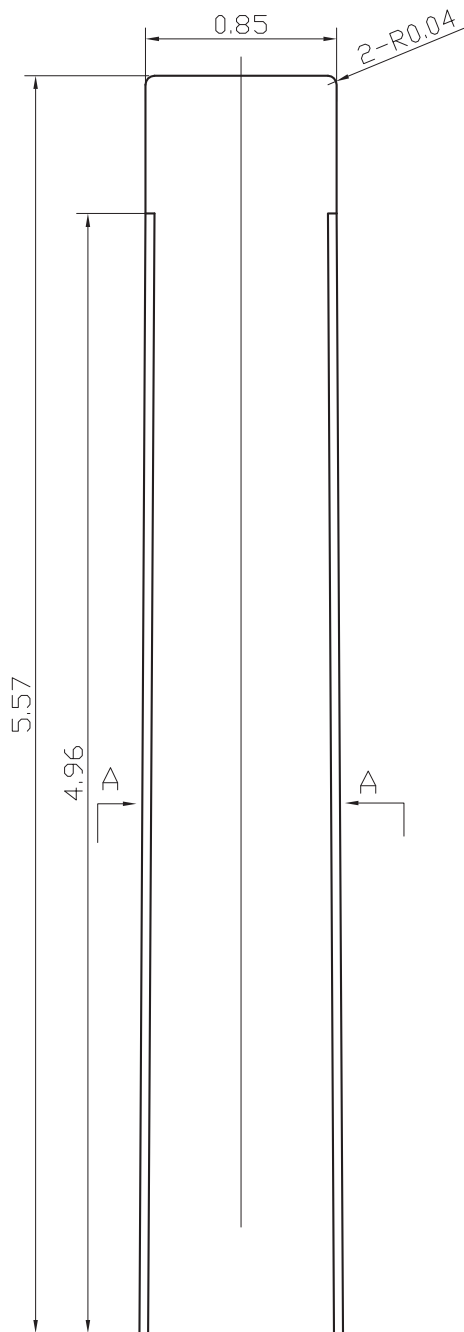
Material		Drawings Number
STEEL		WF6341-Spring
Date	Proportion	
10-23-2015	3:1	



DIMENSIONS ARE IN INCHES


TOLERANCES:
 ONE PLACE DECIMAL ± 0.03
 TWO PLACE DECIMAL ± 0.01
 THREE PLACE DECIMAL ± 0.005

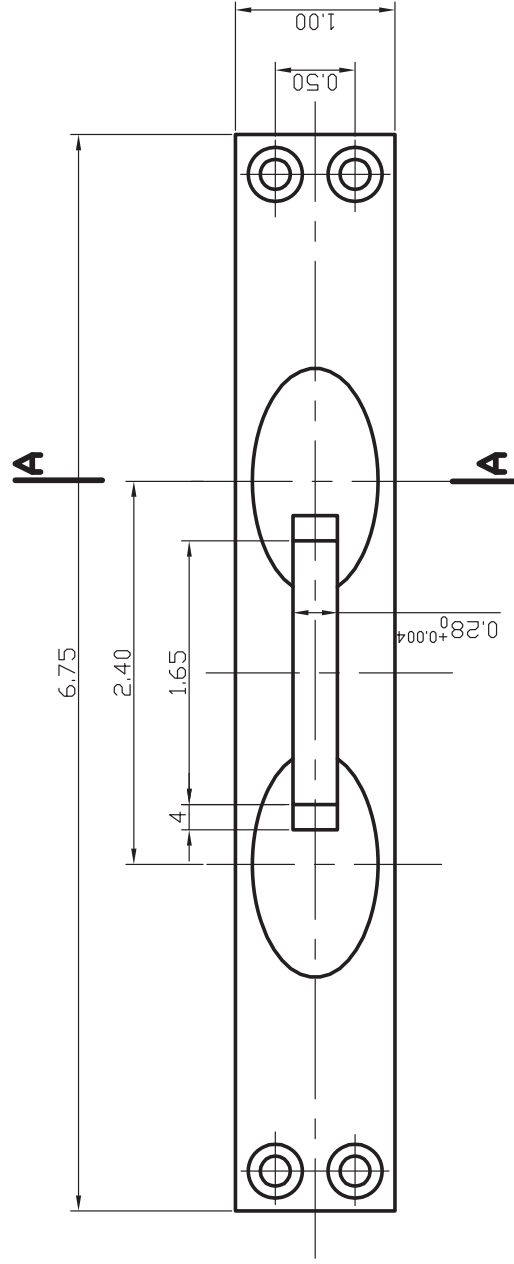
Material		Drawings Number
STEEL		WF6341-bullet
Date	Proportion	
10-23-2015	1:1	



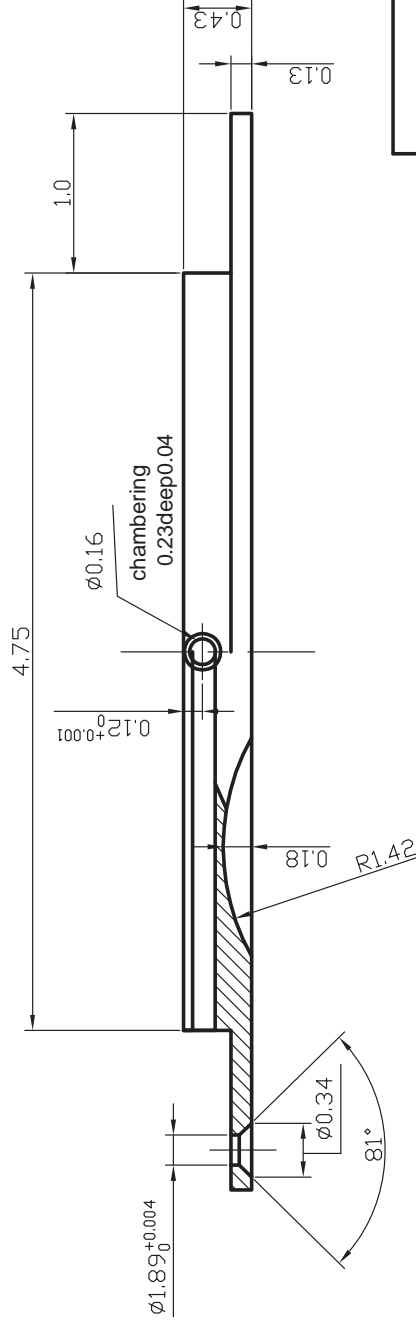
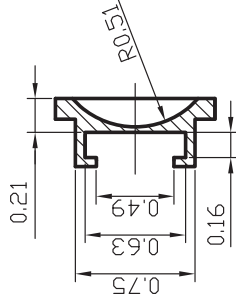
DIMENSIONS ARE IN INCHES

TOLERANCES:
 ONE PLACE DECIMAL ± 0.03
 TWO PLACE DECIMAL ± 0.01
 THREE PLACE DECIMAL ± 0.005

Material		Drawings Number
STEEL		WF6341-Cover Piece
Date	Proportion	
10-23-2015	1:1	



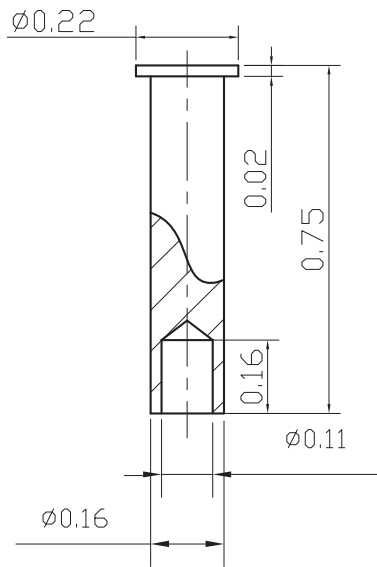
A-A



DIMENSIONS ARE IN INCHES


TOLERANCES:
 ONE PLACE DECIMAL ± 0.03
 TWO PLACE DECIMAL ± 0.01
 THREE PLACE DECIMAL ± 0.005

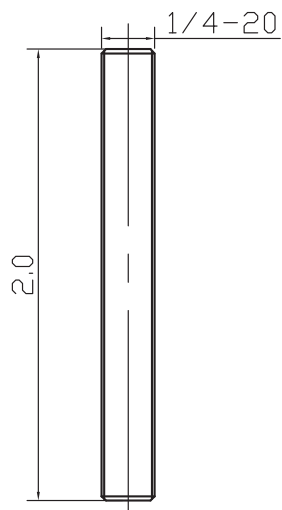
Material	Drawings Number	
	WF6341-Body	
Date	Proportion	1:1



DIMENSIONS ARE IN INCHES


TOLERANCES:
 ONE PLACE DECIMAL ± 0.03
 TWO PLACE DECIMAL ± 0.01
 THREE PLACE DECIMAL ± 0.005

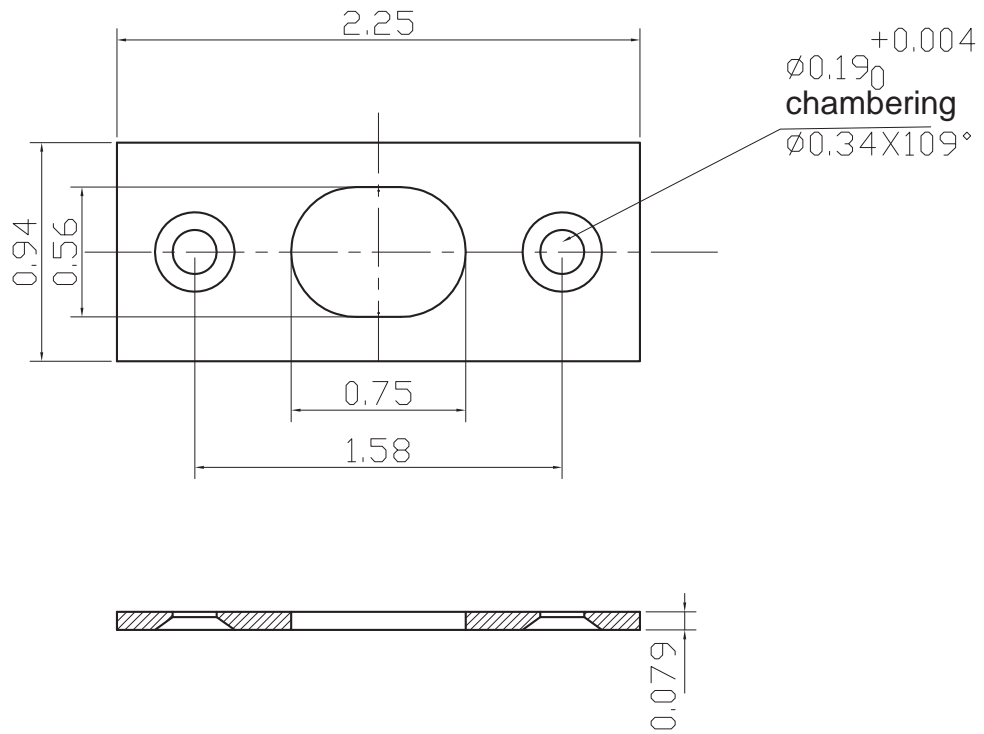
Material		Drawings Number
STEEL		WF6341-Spring Pin
Date	Proportion	
10-23-2015	2:1	



DIMENSIONS ARE IN INCHES


TOLERANCES:
 ONE PLACE DECIMAL ± 0.03
 TWO PLACE DECIMAL ± 0.01
 THREE PLACE DECIMAL ± 0.005

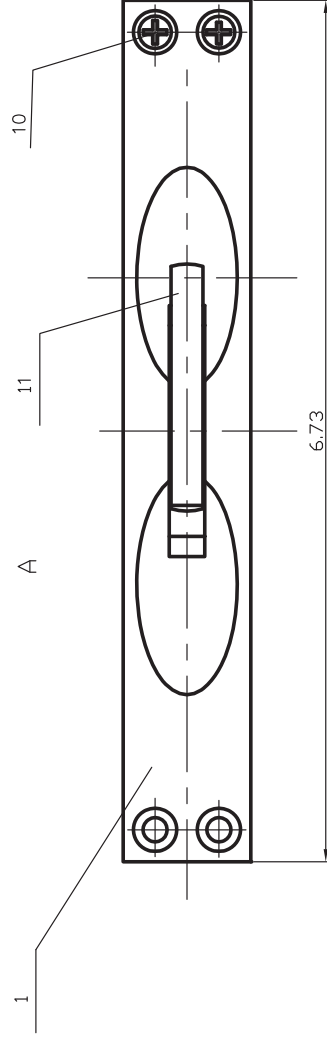
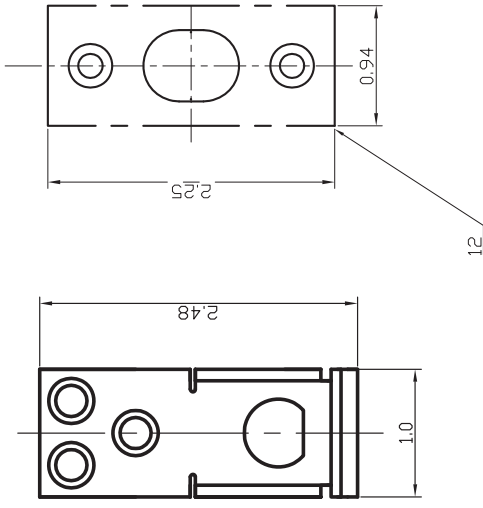
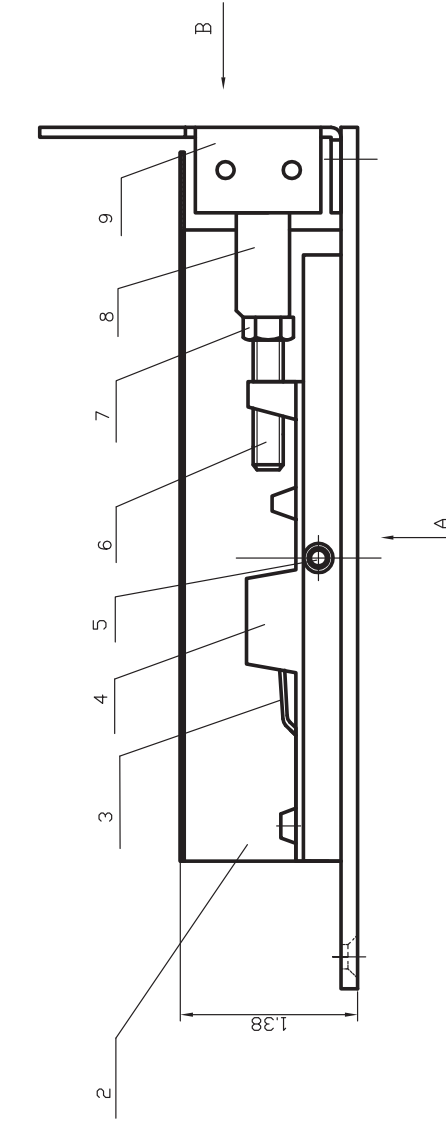
Material		Drawings Number
STEEL		WF6341-Rod
Date	Proportion	
10-23-2015	1:1	



DIMENSIONS ARE IN INCHES

TOLERANCES:
 ONE PLACE DECIMAL ± 0.03
 TWO PLACE DECIMAL ± 0.01
 THREE PLACE DECIMAL ± 0.005

Material		Drawings Number
STEEL		WF6341-Strike
Date	Proportion	
10-23-2015	1:1	



Material		Drawings Number
STEEL		WF6341-Flushbolt
Date	Proportion	
10-23-2015	1:1	

Serial number	Name	Drawings Number	Number	Material
12	Strike	WF6341-Strike	1	Steel
10	Screw02	#8X 3/4"	7	Steel
11	Flipper	WF6341-Flipper	1	Brass
10	Screw01	#8-32X 3/10"	2	Steel
9	Ahead Board	WF6341-Ahead Board	1	Steel
8	Bullet	WF6341-Bullet	1	Steel
7	Nut	WF6341-Nut	1	Steel
6	Rod	WF6341-Rod	1	Steel
5	Spring pin	WF6341-Spring Pin	1	Steel
4	Slide	WF6341-Slide	1	Brass
3	Spring	WF6341-Spring	1	Steel
2	Cover Piece	WF6341-Cover Piece	1	Steel
1	Body	WF6341-Body	1	Brass