

LOUVERS ...

YLV, DIVIDED REVERSE "Y" BLADE LOUVERS

90 Minute Fire-Rated Steel Louvers

► For use in Fire Rated Door Applications under Positive and Neutral Pressure Intertek Testing Certification in Compliance to NFPA 252 (2000), UL 10C (2009), NFPA 252 (2012), CSI CIDE 89000

Louvers & Vents

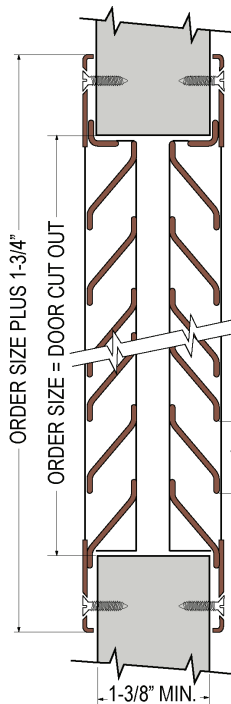
- 18 Gauge Cold Rolled Steel Frame and Blades
- Mitered Welded Corner Frame Construction
- Divided Row "Y" Blades Spaced at 1" Increments with Blocked Vision Design
- Counter Sunk Mounting Holes with Screws for each Side of the Door
- Minimum Door Size Thickness: 1 3/8"
- Baked on Powder Coat Finish.
- Free Flow Area: 50% free area
- Color: **Dark Bronze (DB)**
- See color chart on page 1 of the catalog for **CUSTOM COLORS**, available with factory lead time at standard discount only
- Fasteners: Phillips Head Screws # 8 x 3/4"
- Individually boxed

IN STOCK
FOR IMMEDIATE SHIPPING

OTHER FRAME COLORS
AVAILABLE WITH
FACTORY LEAD TIME
(STANDARD DISCOUNT ONLY)

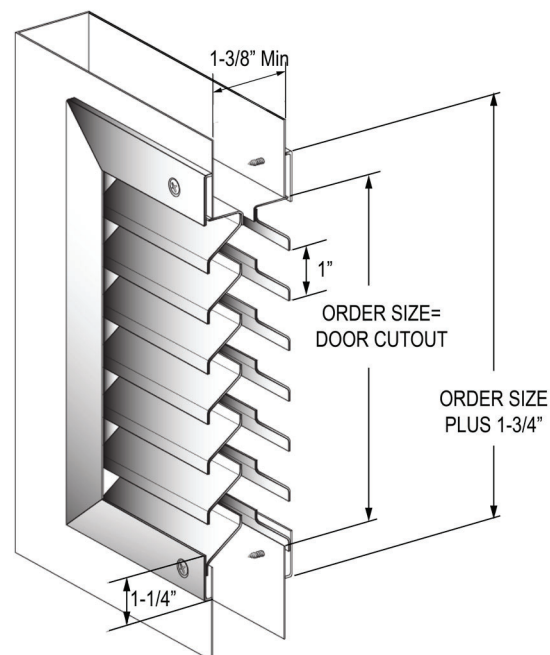


Intertek



ITEM #	SIZES (DOOR CUTOUT) Width x Height	PCS / MC
YLV1212	12" x 12"	4
YLV1812	18" x 12"	2
YLV1818	18" x 18"	4
YLV2412	24" x 12"	2
YLV2424	24" x 24"	1

Shaded Items are Non-Fire Rated.



See Lites & Louvers Intertek Certification for detailed information on Fire Ratings.
Or visit: <http://www.cal-royal.com/pdf/litescertification.pdf>

Aluminum Insect Screen for YLV Series
 Framed Aluminum Insect Screen (prefix FA)
 Ex. FAYLV1212
 Unframed Aluminum Insect Screen (prefix UA)
 Ex. UAYLV1212